

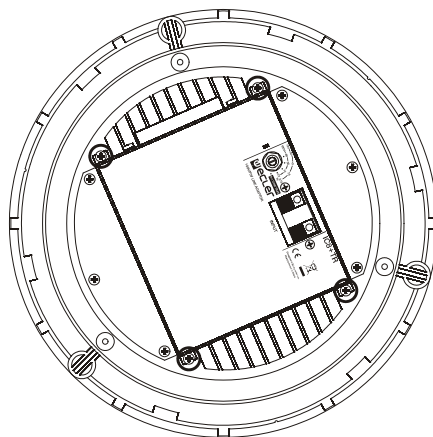
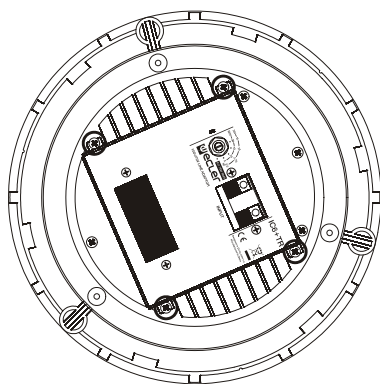
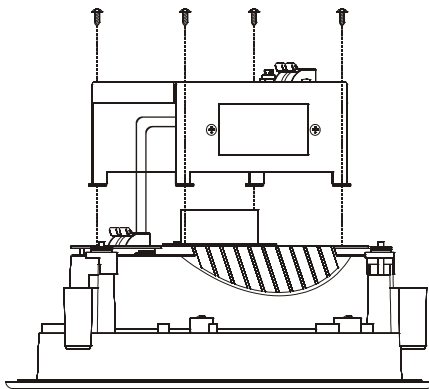
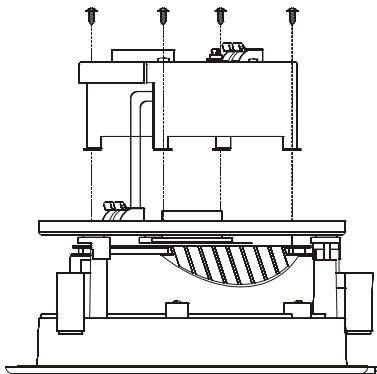
IC6+TR

100V/70V LINE TRANSFORMER

IC8+TR

100V/70V LINE TRANSFORMER

Connection and mechanical diagram:



Technical characteristics:

	IC6+TR
100V Transformer Taps	30, 15, 7.5, 5W
70V Transformer Taps	15, 7.5, 3.75, 2.5W
Nominal low impedance	8Ω
RMS power @ 8Ω	75W

	IC8+TR
100V Transformer Taps	60, 30, 15, 7.5W
70V Transformer Taps	30, 15, 7.5, 3.75W
Nominal low impedance	8Ω
RMS power @ 8Ω	100W

ecler

50.0214.01.02

ECLER Laboratorio de electro-acústica S.A.
Motors 166-168, 08038 Barcelona, Spain
INTERNET <http://www.ecler.com> e-mail: info@ecler.es

