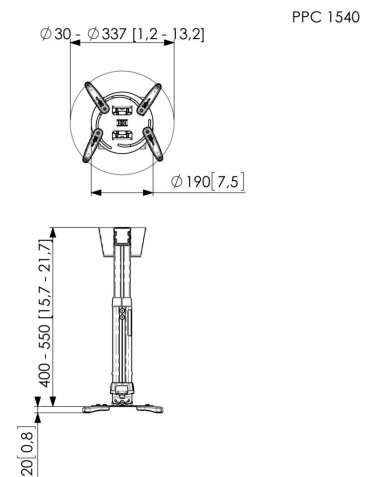




PPC 1540 Projector ceiling mount

The PPC 1540 is a height adjustable projector mount specially designed for the latest generation of projectors weighing up to 15 kg. This projector interface is equipped with fine tune adjustability for precise alignment to the projection surface. Once aligned, the projector stays in position. Turning the unique friction ring will eliminate all play from the interface connections, making the mount a solid and very stable solution.

Obrót	360
Pochył	15
Kolor	Srebrny
Kolory uzupełniające	White
Gwarancja	5 lat
Maks. odległość do sufitu (mm)	550
Regulowana wysokość	Tak



PPC 1540 Projector ceiling mount

The height adjustable projector ceiling mount kits can be used when the height of the ceiling is not known or when flexibility is wanted. These mounts come in 3 lengths offering variable height adjustment from 400 to 1350 mm. The CIS® Cable Inlay System runs the full length of the pole and even allows for cable routing after installation. The CIS® offers sufficient space for all cables required and enables you to hide all the cables in a matter of seconds.

Cechy

- Ceiling plate suitable for inclined and flat ceilings
- Adjustable height
- Cover included for false ceilings
- Easy mounting
- Fine tune adjustability

Informacje logistyczne

Kod produktu EAN	8712285325083
Waga netto (kg)	3.3
Szerokość pojedynczego opakowania (mm)	258
Długość pojedynczego opakowania (mm)	428
Wysokość pojedynczego opakowania (mm)	136