

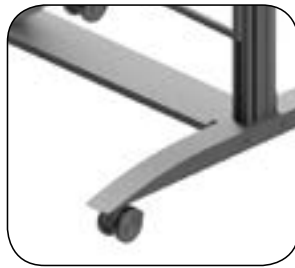




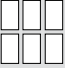
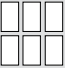
FEATURES

- Tool-less independent 8-point micro adjustment provides seamless alignment of the displays
- Universal range of VESA mounts and adapters included
- Flexible option of mounting multiple screens with customized height according to customer's requirements



FEATURES PHOTO



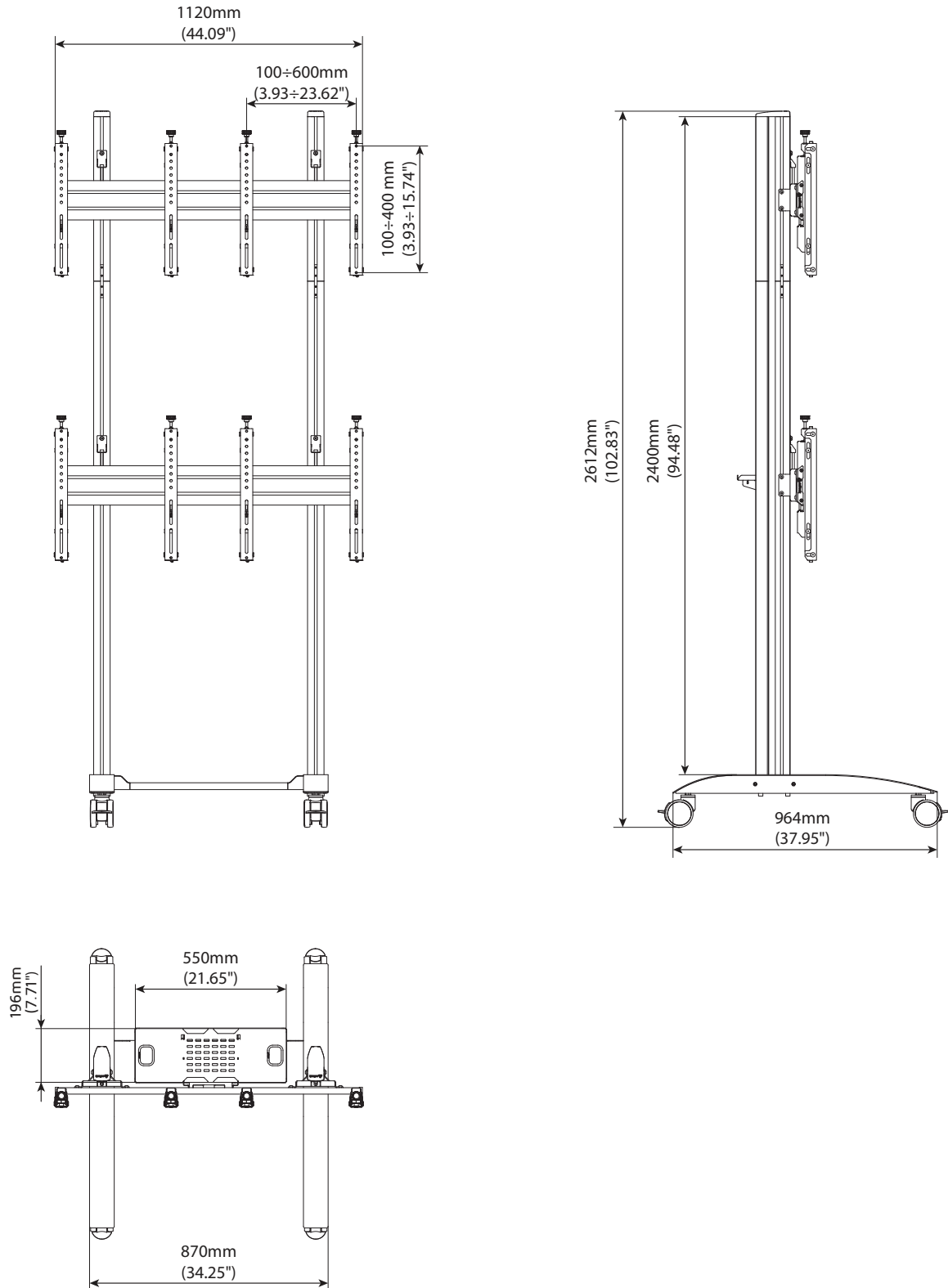
Monitor Configuration	Product	Screen size	Max. capacity	Max. VESA	Weight	Dimensions (HxWxD) mm
	VWTA2247-P	42"-47"	220 kg	min. 100x100 mm max. 600x400 mm	70 kg	2550x1220x950 mm
	VWTA2257-P	50"-57"	210 kg	min. 100x100 mm max. 600x400 mm	75 kg	2550x1420x950 mm
	VWTA3247-P	42"-47"	205 kg	min. 100x100 mm max. 600x400 mm	110 kg	2550x820x950 mm
	VWTA3257-P	50"-57"	190 kg	min. 100x100 mm max. 600x400 mm	115 kg	2550x2120x950 mm



VWTA Portrait Series - Trolley Video Walls

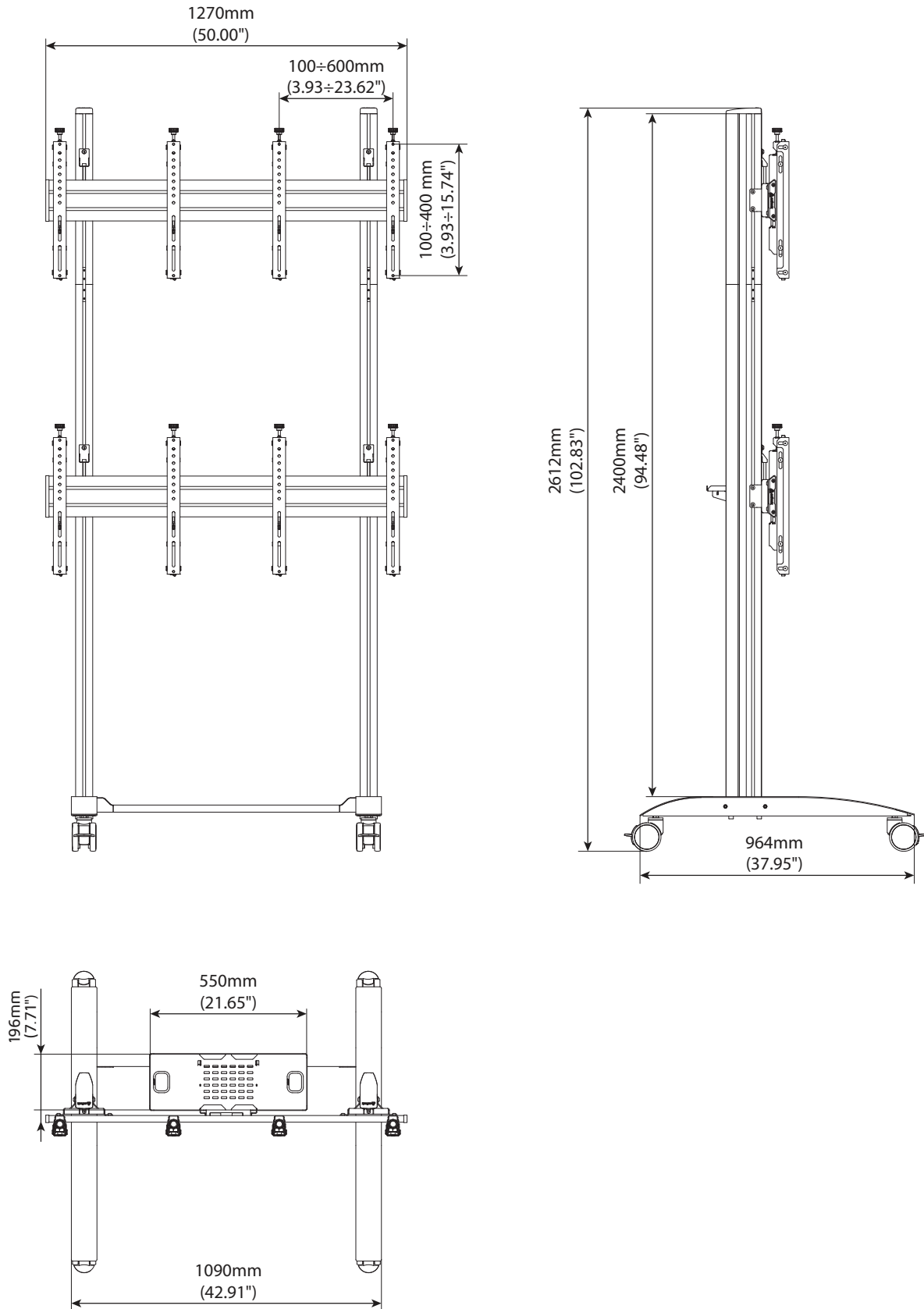
TECHNICAL DRAWINGS

VWTA2247-P



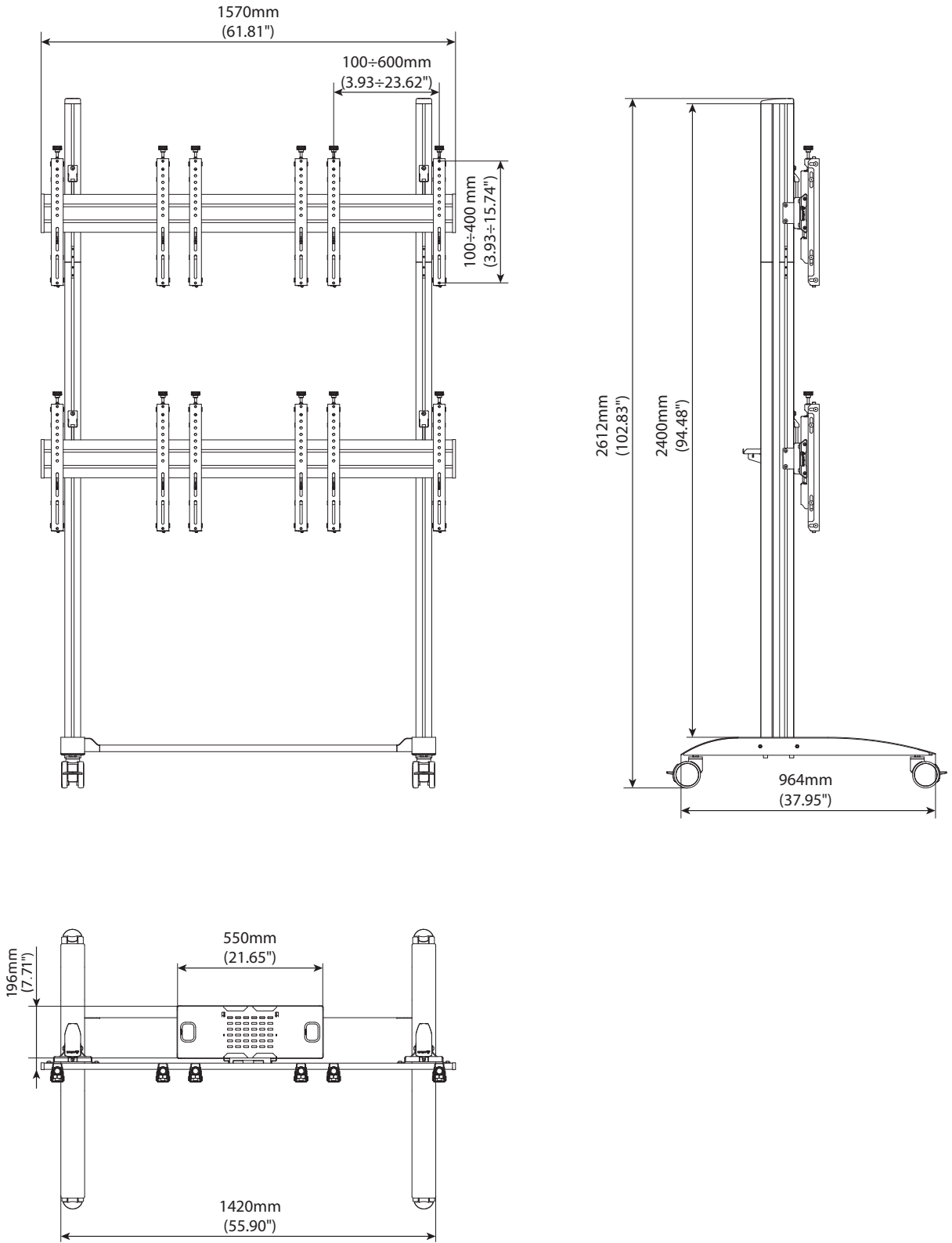


VWTA2257-P





VWTA3247-P





VWTA3257-P

on request