



Model Name **MX507 Digital Projector**

Unique selling point **Trade Mark**

- * SmartEco Power Saving technology
- * Up to 10000 hours Long lamp life
- * <0.5W standby mode
- * New 3D format for entertainment



| | |
|--|--|
| Projection System | DLP |
| Native Resolution | XGA(1024 x 768) |
| Brightness | 3200AL |
| Contrast Ratio | 13000:1 |
| Display Color | 1.07 Billion Colors |
| Lens | F=2.56-2.8, f=22-24.1mm |
| Aspect Ratio | Native 4:3 (5 aspect ratio selectable) |
| Throw Ratio | 1.96-2.15 (78"@3.1m) |
| Image Size (Diagonal) | 60"-180"/ 300" |
| Zoom Ratio | 1.1:1 |
| Lamp Type | 190W |
| Lamp(Normal/Economic/SmartEco/ LampSaveMode)* | 4000/6000/6500/10000 hours |
| Keystone Adjustment | 1D, Vertical +/- 40 degrees |
| Projection Offset | 120% ±5% |
| Resolution Support | VGA(640 x 480) to UXGA(1600 x 1200) |
| Horizontal Frequency | 15~102KHz |
| Vertical Scan Rate | 23~120Hz |

| | | |
|----------------------|--|--|
| Compatibility | HDTV Compatibility | 480i, 480p, 576i, 576p, 720p, 1080i, 1080p |
| | Video Compatibility | NTSC, PAL, SECAM |
| | 3D Compatibility (Please refer to User's Manual for detailed support timing.) | |

| | | |
|------------------|----------------------------|---------------------------|
| Interface | Computer in (D-sub 15pin) | x 2(Share with component) |
| | Monitor out (D-sub 15pin) | x 1 |
| | Composite Video in (RCA) | x 1 |
| | S-Video in (Mini DIN 4pin) | x 1 |
| | Audio in (Mini Jack) | x 1 |
| | Audio out (Mini Jack) | x 1 |
| | Speaker | 2W x 1 |
| | USB (Type Mini B) | x1 (Download & page/down) |
| | RS232 (DB-9pin) | x 1 |
| | IR Receiver | x1 (Front) |

| | | |
|-------------------|-----------------------|--|
| Dimensions | Dimensions(W x H x D) | 283 x 95 x 222 mm (w/ feet) 283 x 88.7 x 222 (w/o feet) |
| | Weight | 1.8kg (3.96lbs) |

| | | |
|--------------|-------------------|--|
| Power | Power Supply | AC100 to 240 V, 50 to 60 Hz |
| | Power Consumption | 270W(Normal), 220W (Eco) Standby<0.5W |

| | |
|----------------------|----------------------------------|
| Audible Noise | 33/28 dBA (Normal/Economic mode) |
|----------------------|----------------------------------|

| | |
|------------------------------------|--|
| On-Screen Display Languages | Arabic/Bulgarian/ Croatian/ Czech/ Danish/ Dutch/ English/ Finnish/ French/ German/ Greek/ Hindi/ Hungarian/ Italian/ Indonesian/ Japanese/ Korean/ Norwegian/ Polish/ Portuguese/ Romanian/ Russian/ Simplified Chinese/Spanish/ Swedish/ Turkish/ Thai/ Traditional Chinese (28 Languages) |
|------------------------------------|--|

| | |
|----------------------|--|
| Picture Modes | Dynamic/Presentation/sRGB/Cinema/User 1/User 2 |
|----------------------|--|

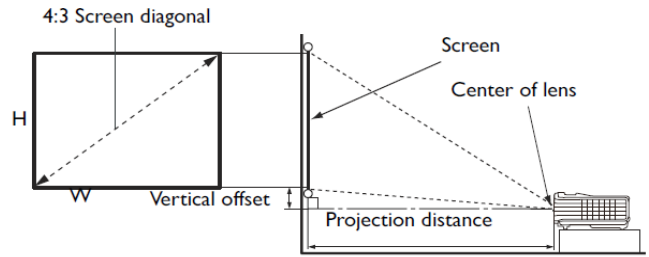
| Accessories | Standard | Optional |
|--------------------|---------------------------|-----------------|
| | Remote Control w/ Battery | Spare Lamp Kit |
| | Power Cord (by region) | Ceiling Mount |
| | Quick Start Guide | 3D Glasses |
| | Warranty Card (by region) | Carry bag |
| | VGA(D-sub 15pin) Cable | |

*Lamp life results will vary depending on environmental conditions and usage. Actual product's features and specifications are subject to change without notice.

MX507 Digital Projector

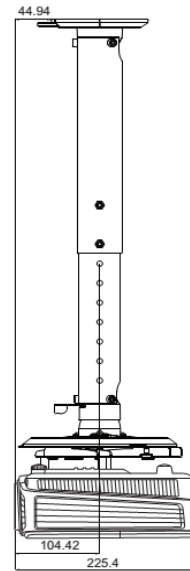
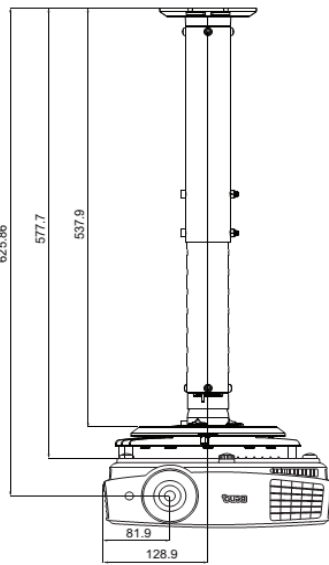
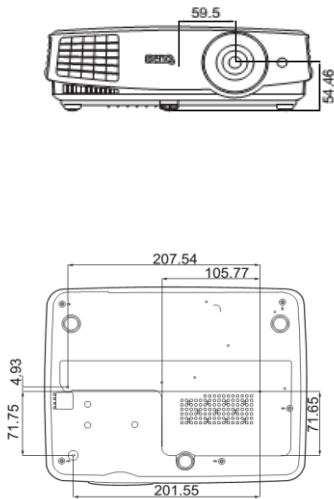
Distance Chart

| Screen size | | | | Distance from screen (mm) | | | Vertical offset (mm) |
|-------------|------|--------|--------|---------------------------|---------|-------------|----------------------|
| Diagonal | | W (mm) | H (mm) | Min length | Average | Max length | |
| Inch | mm | | | (max. zoom) | | (min. zoom) | |
| 30 | 762 | 610 | 457 | 1134 | 1191 | 1247 | 46 |
| 40 | 1016 | 813 | 610 | 1512 | 1587 | 1663 | 61 |
| 50 | 1270 | 1016 | 762 | 1890 | 1984 | 2079 | 76 |
| 60 | 1524 | 1219 | 914 | 2268 | 2381 | 2494 | 91 |
| 80 | 2032 | 1626 | 1219 | 3024 | 3175 | 3326 | 122 |
| 100 | 2540 | 2032 | 1524 | 3780 | 3968 | 4157 | 152 |
| 120 | 3048 | 2438 | 1829 | 4535 | 4762 | 4989 | 183 |
| 150 | 3810 | 3048 | 2286 | 5669 | 5953 | 6236 | 229 |
| 200 | 5080 | 4064 | 3048 | 7559 | 7937 | 8315 | 305 |
| 220 | 5588 | 4470 | 3353 | 8315 | 8731 | 9146 | 335 |
| 250 | 6350 | 5080 | 3810 | 9449 | 9921 | 10394 | 381 |
| 300 | 7620 | 6096 | 4572 | 11339 | 11905 | 12472 | 457 |



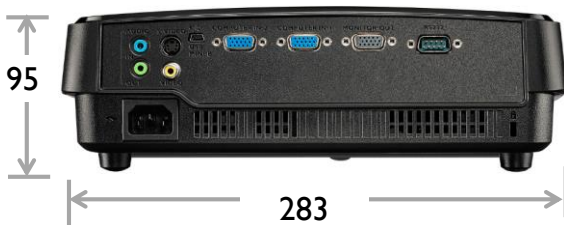
Wall mount/Ceiling mount Chart

Ceiling Mount screw: M4
(Max L = 25 mm; Min L = 20 mm)



Unit: mm

Dimension



Unit: mm

