

## HCS-5300RA Digital Infrared Receiver



### Features

- Cooperates with HCS-5300TD or HCS-5100T, used additionally in special applications if the transceivers cannot be installed optimally
- Suspension mounting
- Infrared transmitting carrier frequency conforms to IEC 61603-7, DQPSK digital modulation/demodulation technology
- Transmitting in 2 ~ 8 MHz frequency band, eliminating the interference from HF-driven lights

### Interconnections

- Equipped with a 10.0 m specific cable CBL5304-10 with 6P-DIN male plug. For extension purposes, 6P-DIN extension cable CBL5304-05/10/20/50 can be used.

### Technical Specifications

#### Electrical

Wavelength.....	870 nm
Modulation method.....	DQPSK
Carrier frequency.....	2 ~ 8 MHz
Voltage.....	33 V DC (supplied from HCS-5300M)
Current consumption.....	Max. 30 mA
Connector.....	6P-DIN
Cable.....	10.0 m specific cable with 6P-DIN male plug
Acceptance angle	
Vertical.....	150° (75°+75°)
Horizontal.....	360°
Communication area.....	Approx 13 m in radius from the point underneath the unit (ceiling height: 2.5 ~ 4.5 m)

#### Mechanical

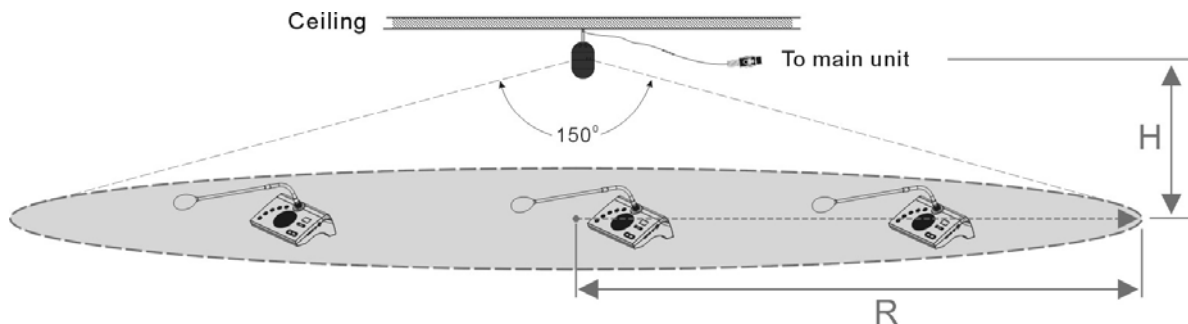
Mounting.....	Suspension mounting
Dimensions.....	Ø 34 mm, 55 mm (height)
Weight.....	0.1 kg (excl. cable)
Color.....	Claret

### Ordering Information

HCS-5300RA.....Digital Infrared Receiver (suspension, claret)

### Communication area of HCS-5300RA

Ceiling height (H)	Communication radius (R)
2.5 m	13 m
3.0 m	
3.5 m	11 m
4.0 m	
4.5 m	



Footprint of HCS-5300RA Digital Infrared Receiver (If H=2.5 ~3.0 m, then R=13 m; if H=3.5 ~4.5 m, then R=11 m)

## HCS-5300RB Digital Infrared Receiver



### Features

- Cooperates with HCS-5300TD or HCS-5100T, used additionally in special applications if the transceivers cannot be installed optimally
- Suspension mounting
- Infrared transmitting carrier frequency conforms to IEC 61603-7, DQPSK digital modulation/demodulation technology
- Transmitting in 2 ~ 8 MHz frequency band, eliminating the interference from HF-driven lights

### Interconnections

- Equipped with a 10.0 m specific cable CBL5304-10 with 6P-DIN male plug. For extension purposes, 6P-DIN extension cable CBL5304-05/10/20/50 can be used.

### Technical Specifications

#### Electrical

Wavelength.....	870 nm
Modulation method.....	DQPSK
Carrier frequency.....	2 ~ 8 MHz
Voltage.....	33 V DC (supplied from HCS-5300M)
Current consumption.....	Max. 30 mA
Connector.....	6P-DIN
Cable.....	10.0 m specific cable with 6P-DIN male plug
Acceptance angle	
Vertical.....	150° (75°+75°)
Horizontal.....	360°
Communication area.....	Approx 13 m in radius from the point underneath the unit (ceiling height: 2.5 ~ 4.5 m)

#### Mechanical

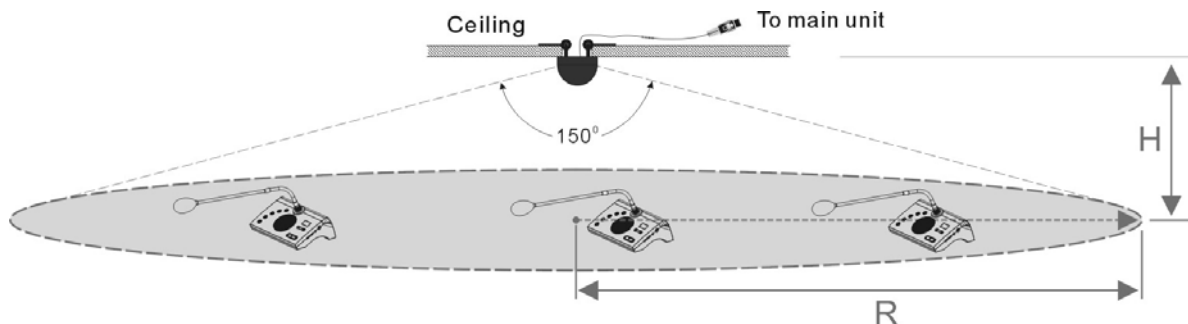
Mounting.....	Ceiling, wall or tripod mounting
Dimensions.....	Ø 61 mm, 43 mm (height)
Weight.....	0.15 kg (excl. cable)
Color.....	Claret

### Ordering Information

HCS-5300RB.....	Digital Infrared Receiver (ceiling, wall or tripod-mounted, excl. tripod when ordered, claret)
-----------------	--

### Communication area of HCS-5300RB

Ceiling height (H)	Communication radius (R)
2.5 m	13 m
3.0 m	
3.5 m	11 m
4.0 m	
4.5 m	



Footprint of HCS-5300RB Digital Infrared Receiver (If H=2.5 ~3.0 m, then R=13 m; if H=3.5 ~4.5 m, then R=11 m)

**System Connection [HCS-5300RA Digital Infrared Receiver + HCS-5100T Digital Infrared Radiator]**

