

HCS-5300TD-W Digital Infrared Transceiver



Features

- Compliant to IEC 60914
- Infrared transmitting carrier frequency conforms to IEC 61603-7, DQPSK digital modulation/demodulation technology
- Transmitting in 2 ~ 8 MHz frequency band, eliminating the interference from HF-driven lights
- Tripod, wall or ceiling mounting, easy to install
- Inside the coverage area of infrared signals, also HCS-5100R/RA digital infrared receivers can be in operation simultaneously to receive (1+3 channels) simultaneous interpretation

HCS-5300TD-W digital infrared transceiver manages communication between main unit and conference units. It can be mounted onto the ceiling and wall for optional coverage or fixed onto a tripod at any appropriate spot.

Indicators

- Power indicating light

Interconnections

- Equipped with a 2.0 m specific cable with 6P-DIN male plug. For extension purposes, 6P-DIN extension cable can be used.

Technical Specifications

Electrical

Wavelength.....	870 nm
Modulation method.....	DQPSK
Carrier frequency.....	2 ~ 8 MHz
Voltage.....	33 V DC (supplied from HCS-5300M)
Current consumption.....	Max. 550 mA
Connector.....	6P-DIN
Cable.....	2.0 m specific cable with 6P-DIN male plug
Acceptance/emission angle	
Vertical.....	150° (75°+75°)
Horizontal.....	360°
Communication area.....	Approx 13 m in radius from the point underneath the unit (ceiling height: 2.5 ~ 4.5 m)

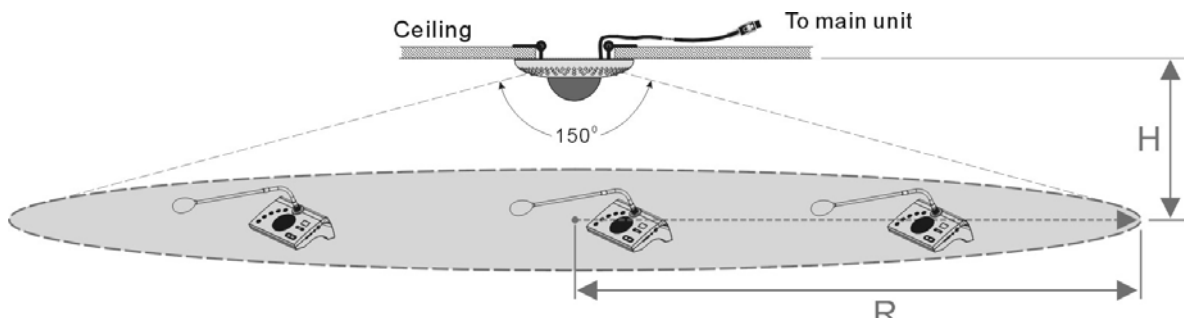
Mechanical

Mounting.....	Ceiling, wall or tripod mounting
Dimensions.....	Ø 181 mm, 63 mm (height)
Weight.....	0.5 kg
Color.....	Silver/ Charcoal gray

Ordering Information

HCS-5300TD-W.....Digital Infrared Transceiver (ceiling, wall or tripod-mounted, excl. tripod when ordered, wide-angle, silver)

HCS-5300TD-WG.....Digital Infrared Transceiver (ceiling, wall or tripod-mounted, excl. tripod when ordered, wide-angle, charcoal gray)



Footprint of HCS-5300TD-W digital infrared transceiver (If H=2.5 ~ 3.0 m, then R= 13 m; if H=3.5 ~ 4.5 m, then R= 11 m)

HCS-5300TD-N Digital Infrared Transceiver



Features

- Compliant to IEC 60914
- Infrared transmitting carrier frequency conforms to IEC 61603-7, DQPSK digital modulation/demodulation technology
- Transmitting in 2 ~ 8 MHz frequency band, eliminating the interference from HF-driven lights
- Tripod, wall or ceiling mounting, easy to install
- Inside the coverage area of infrared signals, also HCS-5100R/RA digital infrared receivers can be in operation simultaneously to receive (1+3 channels) simultaneous interpretation

HCS-5300TD-N digital infrared transceiver manages communication between main unit and conference units. It can be mounted onto the ceiling and wall for optional coverage or fixed onto a tripod at any appropriate spot.

Indicators

- Power indicating light

Interconnections

- Equipped with a 2.0 m specific cable with 6P-DIN male plug. For extension purposes, 6P-DIN extension cable can be used.

Technical Specifications

Electrical

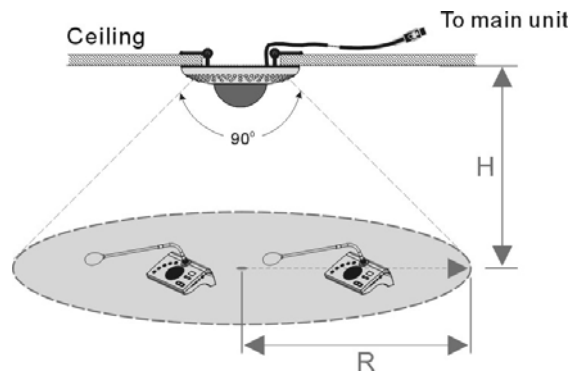
Wavelength.....	870 nm
Modulation method.....	DQPSK
Carrier frequency.....	2 ~ 8 MHz
Voltage.....	33 V DC (supplied from HCS-5300M)
Current consumption.....	Max. 550 mA
Connector.....	6P-DIN
Cable.....	2.0 m specific cable with 6P-DIN male plug
Acceptance/emission angle	
Vertical.....	90° (45°+45°)
Horizontal.....	360°
Communication area.....	Approx 9 m in radius from the point underneath the unit (ceiling height: 5 ~ 7 m)

Mechanical

Mounting.....	Ceiling, wall or tripod mounting
Dimensions.....	Ø 181 mm, 63 mm (height)
Weight.....	0.5 kg
Color.....	Silver/ Charcoal gray

Ordering Information

HCS-5300TD-N.....	Digital Infrared Transceiver (ceiling, wall or tripod-mounted, excl. tripod when ordered, silver)
HCS-5300TD-NG.....	Digital Infrared Transceiver (ceiling, wall or tripod-mounted, excl. tripod when ordered, charcoal gray)



Footprint of HCS-5300TD-N digital infrared transceiver (If H=5 ~ 7 m, then R= 9 m)

tripod at any appropriate spot.

HCS-5300TDB Digital Infrared Transceiver



Features

- Compliant to IEC 60914
- Infrared transmitting carrier frequency conforms to IEC 61603-7, DQPSK digital modulation/demodulation technology
- Transmitting in 2 ~ 8 MHz frequency band, eliminating the interference from HF-driven lights
- Tripod-mounting, easy to install
- Inside the coverage area of infrared signals, also HCS-5100R/RA digital infrared receivers can be in operation simultaneously to receive (1+3 channels) simultaneous interpretation

HCS-5300TDB digital infrared transceiver manages communication between main unit and conference units. It can be fixed onto a

Indicators

- Power indicating light

Interconnections

- Equipped with a 2.0 m specific cable with 6P-DIN male plug. For extension purposes, 6P-DIN extension cable can be used.

Technical Specifications

Electrical

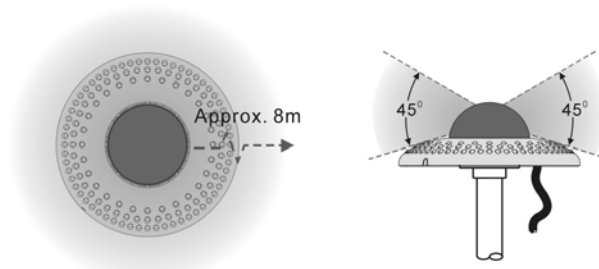
Wavelength.....	870 nm
Modulation method.....	DQPSK
Carrier frequency.....	2 ~ 8 MHz
Voltage.....	33 V DC (supplied from HCS-5300M)
Current consumption.....	Max. 550 mA
Connector.....	6P-DIN
Cable.....	2.0 m specific cable with 6P-DIN male plug
Acceptance/emission angle	
Vertical.....	40°
Horizontal.....	360°
Communication area.....	Approx 8 m in radius from the unit

Mechanical

Mounting.....	Tripod mounting
Dimensions.....	Ø 181 mm, 63 mm (height)
Weight.....	0.5 kg
Color.....	Silver

Ordering Information

HCS-5300TDB..... Digital Infrared Transceiver (tripod-mounted, excl. tripod when ordered, silver)



Footprint of HCS-5300TDB digital infrared transceiver

HCS-5300TDS-W Digital Infrared Transceiver



Features

- Compliant to IEC 60914
- Infrared transmitting carrier frequency conforms to IEC 61603-7, DQPSK digital modulation/demodulation technology
- Transmitting in 2 ~ 8 MHz frequency band, eliminating the interference from HF-driven lights
- Suspension mounting, easy to install
- Inside the coverage area of infrared signals, also HCS-5100R/RA digital infrared receivers can be in operation simultaneously to receive (1+3 channels) simultaneous interpretation
- Optional suspension length: 0.5 m, 1.0 m or 2.0 m

HCS-5300TDS-W digital infrared transceiver manages communication between main unit and conference units. It can be suspension mounted onto the ceiling at appropriate height.

Indicators

- Power indicating light

Interconnections

- Equipped with a 2.0 m specific cable with 6P-DIN male plug. For extension purposes, 6P-DIN extension cable can be used.

Technical Specifications

Electrical

Wavelength.....	870 nm
Modulation method.....	DQPSK
Carrier frequency.....	2 ~ 8 MHz
Voltage.....	33 V DC (supplied from HCS-5300M)
Current consumption.....	Max. 550 mA
Connector.....	6P-DIN
Cable.....	2.0 m specific cable with 6P-DIN male plug
Acceptance/emission angle	
Vertical.....	150° (75°+75°)
Horizontal.....	360°
Communication area.....	Approx 13 m in radius from the point underneath the unit (ceiling height: 2.5 ~ 4.5 m)

Mechanical

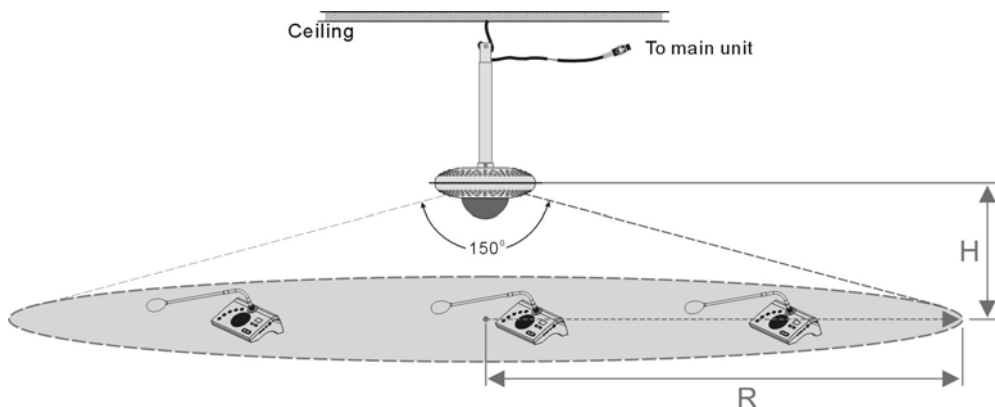
Mounting.....	Suspension mounting
Dimensions.....	Ø 201 mm, 100 mm (height)
Weight.....	0.63 kg
Color.....	Silver

Ordering Information

HCS-5300TDS-W.....	Digital Infrared Transceiver (suspension, wide-angle, silver)
--------------------	---

Optional suspension

HCS-5300TDP-05.....	Mounting Suspension of Digital Infrared Transceiver (0.5 m)
HCS-5300TDP-10.....	Mounting Suspension of Digital Infrared Transceiver (1.0 m)
HCS-5300TDP-20.....	Mounting Suspension of Digital Infrared Transceiver (2.0 m)



Footprint of HCS-5300TDS-W digital infrared transceiver (If H=2.5 ~ 3.0 m, then R= 13 m; if H=3.5 ~ 4.5 m, then R=11 m)

HCS-5300TDS-N Digital Infrared Transceiver



Features

- Compliant to IEC 60914
- Infrared transmitting carrier frequency conforms to IEC 61603-7, DQPSK digital modulation/demodulation technology
- Transmitting in 2 ~ 8 MHz frequency band, eliminating the interference from HF-driven lights
- Suspension mounting, easy to install
- Inside the coverage area of infrared signals, also HCS-5100R/RA digital infrared receivers can be in operation simultaneously to receive (1+3 channels) simultaneous interpretation
- Optional suspension length: 0.5 m, 1.0 m or 2.0 m

HCS-5300TDS-N digital infrared transceiver manages communication between main unit and conference units. It can be suspension mounted onto the ceiling at appropriate height.

Indicators

- Power indicating light

Interconnections

- Equipped with a 2.0 m specific cable with 6P-DIN male plug. For extension purposes, 6P-DIN extension cable can be used.

Technical Specifications

Electrical

Wavelength.....	870 nm
Modulation method.....	DQPSK
Carrier frequency.....	2 ~ 8 MHz
Voltage.....	33 V DC (supplied from HCS-5300M)
Current consumption.....	Max. 550 mA
Connector.....	6P-DIN
Cable.....	2.0 m specific cable with 6P-DIN male plug
Acceptance/emission angle	
Vertical.....	90° (45°+45°)
Horizontal.....	360°
Communication area.....	Approx 9 m in radius from the point underneath the unit (ceiling height: 5 ~ 7 m)

Mechanical

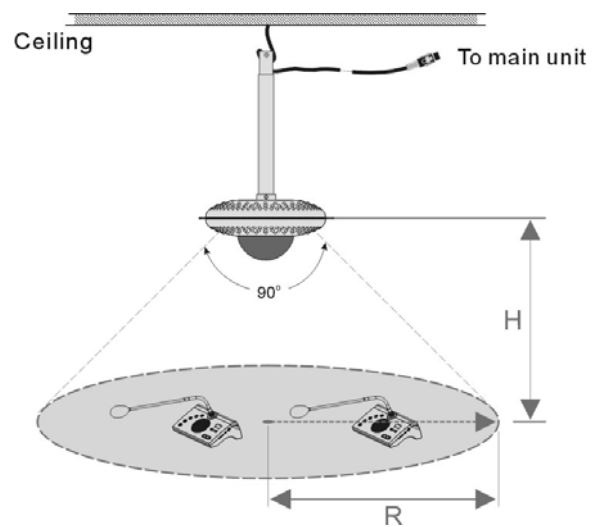
Mounting.....	Suspension mounting
Dimensions.....	Ø 201 mm, 100 mm (height)
Weight.....	0.63 kg
Color.....	Silver

Ordering Information

HCS-5300TDS-N.....	Digital Infrared Transceiver (suspension, silver)
--------------------	---

Optional suspension

HCS-5300TDP-05.....	Mounting Suspension of Digital Infrared Transceiver (0.5 m)
HCS-5300TDP-10.....	Mounting Suspension of Digital Infrared Transceiver (1.0 m)
HCS-5300TDP-20.....	Mounting Suspension of Digital Infrared Transceiver (2.0 m)



Footprint of HCS-5300TDS-N digital infrared transceiver
(If H=5 ~ 7 m, then R=9 m)

Coverage area of Transceivers

Type No.	Mounting height (H)	Coverage area radius (R)
HCS-5300TD-W HCS-5300TD-WG HCS-5300TDS-W	2.5 m	13 m
	3.0 m	
	3.5 m	11 m
	4.0 m	
	4.5 m	
HCS-5300TD-N HCS-5300TD-NG HCS-5300TDS-N	5.0 m	9 m
	5.5 m	
	6.0 m	
	6.5 m	
	7.0 m	