

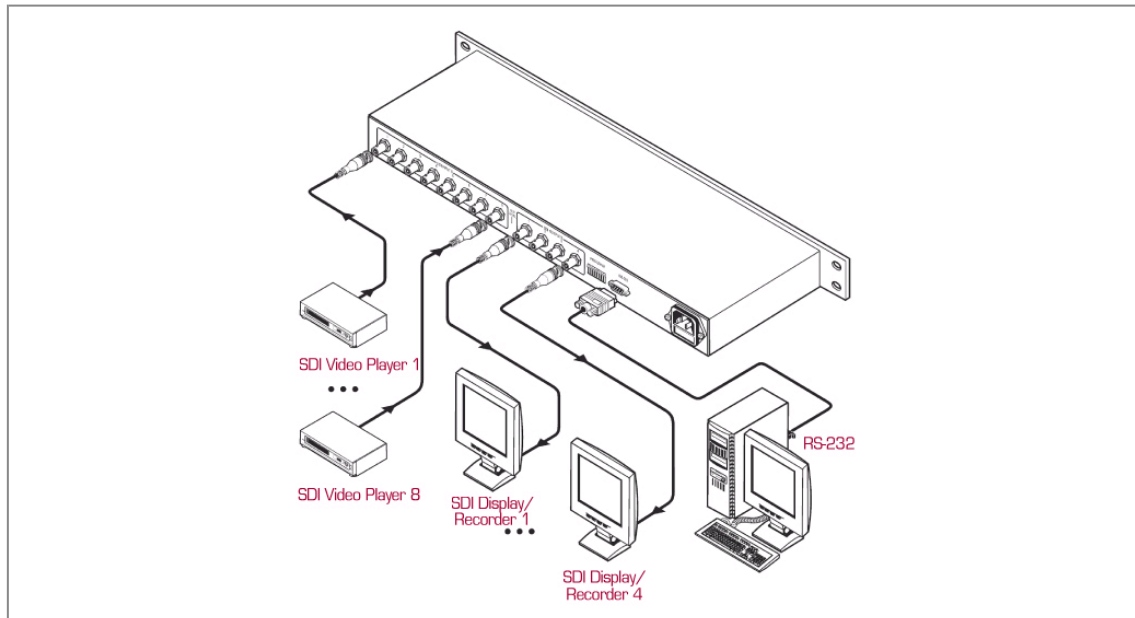


SD-7308

8x1 Serial Video Switcher



The **SD-7308** is a high performance switcher for serial digital (SMPTE 259M) video signals. It takes any one input, provides reclocking and equalization and distributes the signal simultaneously to four identical outputs.





SD-7308

FEATURES

- **Multi - Standard** - 143Mb/s (4fsc NTSC), 177Mb/s (4fsc PAL, 270Mb/s (4:2:2 component), 360Mb/s (4:2:2 Widescreen).
- **Control** - Front Panel & RS-232 (included K-Router™ Window® - based software is included).
- **Reclocking & Equalization.**
- **Resolution** - 8 & 10-bit (automatic).
- **Vertical Interval Switching** - SMPTE RP-168.
- **Standard 19" Rack Mount Size** - 1U.

TECHNICAL SPECIFICATIONS

INPUTS:	8 x SMPTE - 259M serial video, 75 Ω on BNCs.
SERIAL OUTPUTS:	4 reclocked SMPTE-259M outputs, 75 Ω on BNCs, adjustable amplitude.
VIDEO RESOLUTION:	10-bit or 8-bit, automatic according to input resolution.
SWITCHING:	During Vertical Interval according to the SMPTE RP-168 standard.
STANDARDS:	4fsc PAL, 4fsc NTSC, 4:2:2 (525/625), and 360Mb/s widescreen (525/625).
EQUALIZATION:	Automatic for up to >30dB cable loss.
DIMENSIONS:	19 inch (W), 7 inch (D), 1U (H) rack mountable.
POWER SOURCE:	230 VAC, 50/60 Hz, (115 VAC, U.S.A.) 9.2 VA.
WEIGHT:	2.5 kg. (5.5 lbs.) approx.
ACCESSORIES:	Power cord, Windows 95/98 control software.