

PRESENTATION STATION UF-130DX

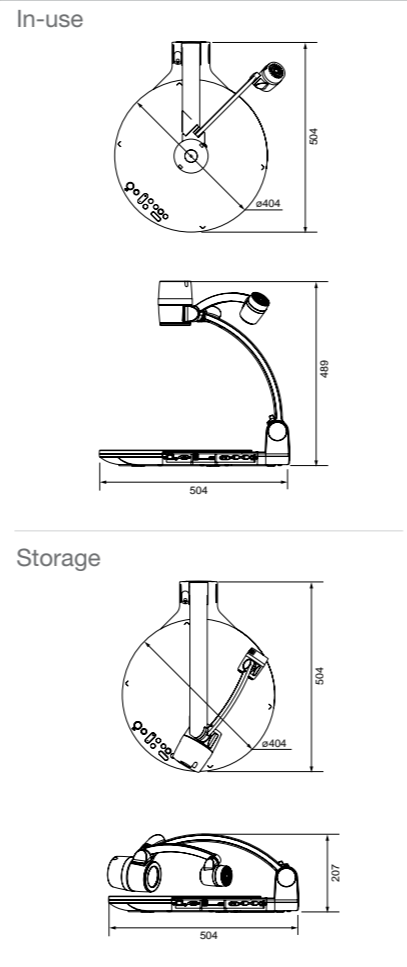


Specifications

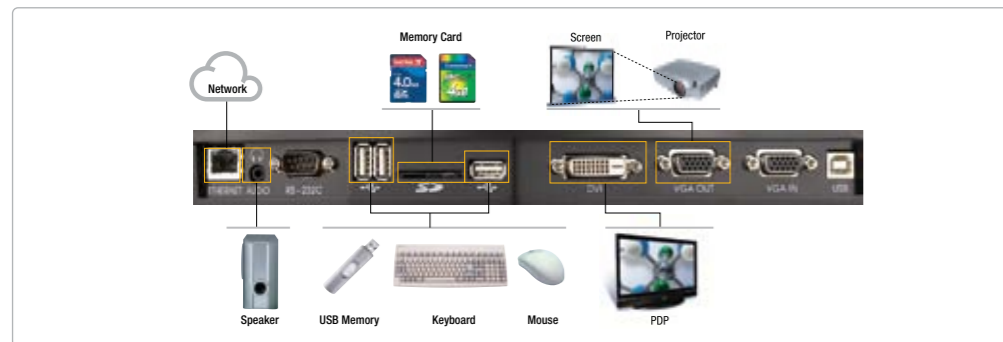
Mode		UF-130DX	
Optical System	Lens	F=1.5(Wide) ~ 2.1(Tele) f=4.8 ~ 67.2, 14X optical zoom	
	Shooting Area	Max : 298 x 221mm, Min : 21.7 x 16.4mm	
	Zoom	Powered (14X), Digital (3X)	
	Focus	Auto focus / Manual	
Illumination System	Iris	Auto (with fine level adjustment)	
	Upper	Power LED Illumination System	
Video	Lower	Light Box (Option)	
	Pick-up Device	1/3" Progressive Scan CCD	
	Total Number of Pixels	1,348(H) x 976(V), 1.32M pixels	
	Number of Effective Pixels	1,296(H) x 966(V), 1.25M pixels	
	Frame Rate	SXGA : 22.5fps, HD (1,280 x 720p) : 30fps	
	VGA Output	QuadVGA (1,280 x 960), XGA (1,024 x 768), HD (1,280 x 720p)	
	White Balance	AWC (One-touch) / Manual	
	Image Freeze	Available	
	Image Rotation	Available (90°, 180°, 270°, 0°)	
	Preset Function	Up to 4 user settings	
OS Functions	Input Selection	2 Channels (Internal : 1, External : 1)	
	Multimedia	AVI, WMV, WMA	
	File Viewer	PPT, XLS, DOC, JPG, PDF	
	Image Save / Recall	Available (Embedded memory / SD card / USB memory)	
Interface Port	Drawing Function	Available	
	Video Overlay	Available	
	Network Function	Web Browsing & RDC (Remote Desktop Control)	
	Input Port	VGA In 15 pin DSUB Connector x 1	
	Output Port	VGA Out	15 pin DSUB Connector x 1
		DVI Out	DVI-D type Connector x 1
	RS-232C	RS-232C	9 pin DSUB Connector x 1
		USB	USB Host A-type x 3, USB Slave B-type x 1
	I/F Port	LAN	LAN Jack x 1
		Memory I/F	SD Slot x 1 (SD 2.0 ver.)
Power Port	Power Input	DC +12V In x 1	
	Power Output	DC +12V Out x 1 (0.6A)	
General	Operating Temperature	+5°C ~ +35°C	
	Operating Humidity	30% ~ 90%	
	Power	12V DC (Adaptor input : 100V AC ~ 240V free voltage, 50/60Hz, output : 12V, 8.33A)	
	Dimensions	In-use : ø404(W) x 489(H) x 504(D)mm / ø15.91"(W) x 19.23"(H) x 19.84"(D) Storage : ø404(W) x 207(H) x 504(D)mm / ø15.91"(W) x 8.15"(H) x 19.84"(D)	
Weight	About 5Kg (11.02 lb)		
Accessories	Carrying bag, Remote controller, Cable, etc.		

Dimensions

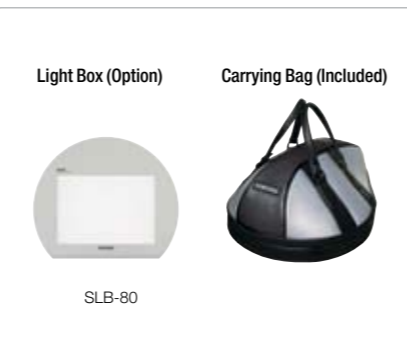
Unit : mm (inch)



System Configuration



Accessories



The Eco mark represents Samsung Techwin's will to create environment-friendly products, and indicates that the product satisfies the EU RoHS Directive.

Design and specifications are subject to change without notice.



SAMSUNG TECHWIN CO., LTD.
145-3, Sangdaewon 1-dong, Jungwon-gu,
Seongnam-si, Gyeonggi-do Korea 462-703
Tel : +82-31-740-8160 Fax : +82-31-740-8145
www.samsungpresenter.com

SAMSUNG OPTO-ELECTRONICS AMERICA, INC.
40 Seaview Drive, Secaucus, NJ 07094, U.S.A
Tel : +1-201-902-0347 Fax : +1-201-902-0429



I.E-0806

A Brave New World Begins...
All-In-One Presenter

Featured Highlights

- 1.3 Mega Pixel 14X zoom
- Real-time HD (1280x720p) Video Display
- Compatible with office automation standards, documents, multimedia files, and web contents.
- Network ready
- LED Lighting
- Three USB Ports
- SDHC (SD High Capacity) Memory Card Slot

UF-130DX
PRESENTATION STATION

imagine a True Convergence of Presenter and PC

The UF-130DX is the first system to deliver embedded Windows CE allowing users to access internet and office applications without the need of the PC. With a 1.32 Megapixel Progressive Scan CCD and 42X zoom capability, the UF-130DX digital presenter delivers unprecedented image quality of documents, images, and web content in real-time with a clarity that only Samsung can deliver.

Preliminary



A True Conversion of Presenter and the PC

With Windows CE based PRESENTATION STATION UF-130DX

With embedded operating system, a user has the flexibility to display documents, images, multimedia files, and internet contents without being restricted to be connected to a PC or a laptop. UF-130DX is a true stand-alone device that can deliver powerful contents that only Samsung can deliver.

All-in-one Solution! Presenter+PC+Network



- 1.3 Mega Pixel
- Real-time video
- Compatible with office automation standards, documents, multimedia files, and web contents.
- Network ready
- Three USB Ports
- SDHC (SD High Capacity) Memory Card Slot
- 14X zoom
- SXGA Display
- LED Lighting

Embedded OS (Windows CE)

With its own built-in operating system, MS-Office Viewer, PDF Viewer and Media Player the UF-130DX can output presentations, images and movies directly to any display device... no computer required!



1.3 Mega pixel digital camera with 14X optical zoom and Samsung's new generations of DSP chipsets deliver highest image quality and resolutions.

The UF-130DX camera design now includes a 1.32 megapixel Progressive Scan CCD plus Samsung's updated DSP chipset to provide the ultimate in image quality at HD resolution 720P at 30FPS (frames per second) plus selectable standard SXGA and XGA outputs.



Innovative LED illumination

A newly designed flexible light arm incorporating both LED + Optics provides even illumination with no glare for unparalleled display of any subject matter.



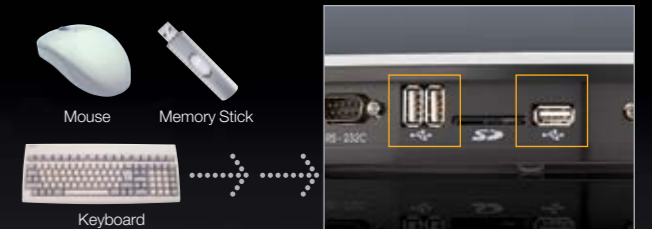
PIP overlay display

With a new Picture-In-Picture feature, users can display live video output over the Windows display in full screen, half screen, or quarter screen at any location desired for the ultimate in presentation flexibility.



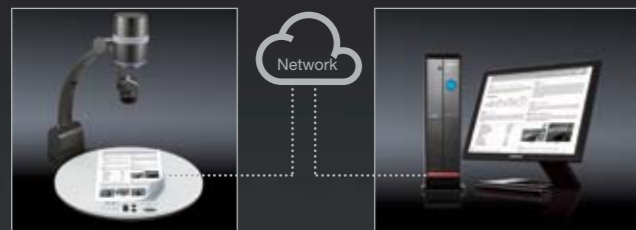
USB interface (3 Port)

The UF-130DX digital presenter can connect to standard USB peripherals such as a mouse, keyboard and thumb drives through a USB interface as well as connection to various memory devices such as CF, SD, MMC, and MC through a multi-card reader.



Ethernet network interface

The UF-130DX is network ready allowing users to easily connect to the network for web browsing. And with remote desktop control capability, the UF-130DX can access a PC to easily transfer files for presentation.



Wide screen, DVI and dual/single monitor display

Not only is the new UF-130DX compatible with HDTV, 16 : 9 display systems, it's the first document camera to provide options for Dual and Single monitor displays. Output Windows to one display and live output from the UF-130 to a second monitor... or combine both for a Picture-In-Picture functionality.



Memory card adapter for SDHC, MMC

The UF-130DX is the only document camera in the market that can read or write to multiple memory devices, including SD, SDHC (SD High Capacity), and USB flash drives. Saving your presentation has never been easier!



Updated drawing function

Attach a USB, pen-based mouse to one of the UF-130DX's USB ports to take advantage of the updated drawing functions for live annotation, storing and recall of your edited images all at 16.8 million colors.

