

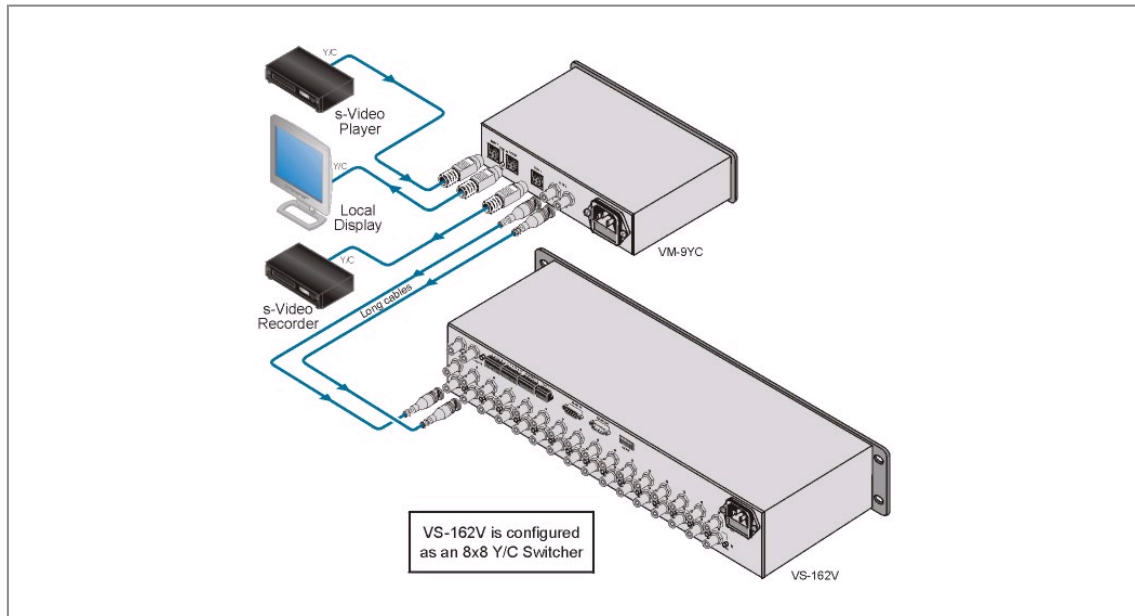


VM-9YC

1:2 s-Video Line Amplifier



The Kramer **VM-9YC** is a high performance distribution & line amplifier for s-Video (Y/C) signals. As a line amplifier, it can compensate for signal losses inherent in long cable runs.





VM-9YC

FEATURES

- High Bandwidth (Y) - 320MHz (- 3dB).
- 2 Outputs: 1 (4-pin) & 1 (2 BNCs).
- Y & C Level (Gain) & Y EQ (Peaking)Controls.
- C Phase Control.
- Looping Input.
- Selectable Input Signal Termination.
- Desktop Size - Compact size. Two units can berack mounted side-by-side in a 1U rack spacewith the optional RK-80 adapter.

TECHNICAL SPECIFICATIONS

INPUTS:	1 Video, Looping, 1Vpp / 75Ω, on BNCs with termination switch. 1 Audio-Stereo, 1Vpp / 25kΩ, on RCAs.
OUTPUTS:	2 Video 1Vpp / 75Ω on BNCs. 2 Audio-Stereo, 1Vpp / 100W on RCAs.
VIDEO BANDWIDTH:	84 MHz -3dB.
AUDIO BANDWIDTH:	25 kHz -1dB.
CONTROL:	0 / +8dB (audio and video).
COUPLING:	DC (Video), AC (Audio).
THD (1KHz):	< 0.03%.
DIFF. GAIN:	0.2%.
S/N RATIO:	-74dB
DIFF. PHASE:	0.5 Deg.
K-FACTOR:	<0.05%.
MAX. VIDEO OUTPUT:	2 Vpp.
POWER SOURCE:	230 VAC, 50/60 Hz (115VAC U.S.A.), 3.5 VA.
DIMENSIONS:	24.5cm X 18cm X4.5cm (9.6" x 7" x 1.7", W, D, H.)
WEIGHT:	1.2 kg. (2.6 lbs.) Approx.
ACCESSORIES:	Power cord.