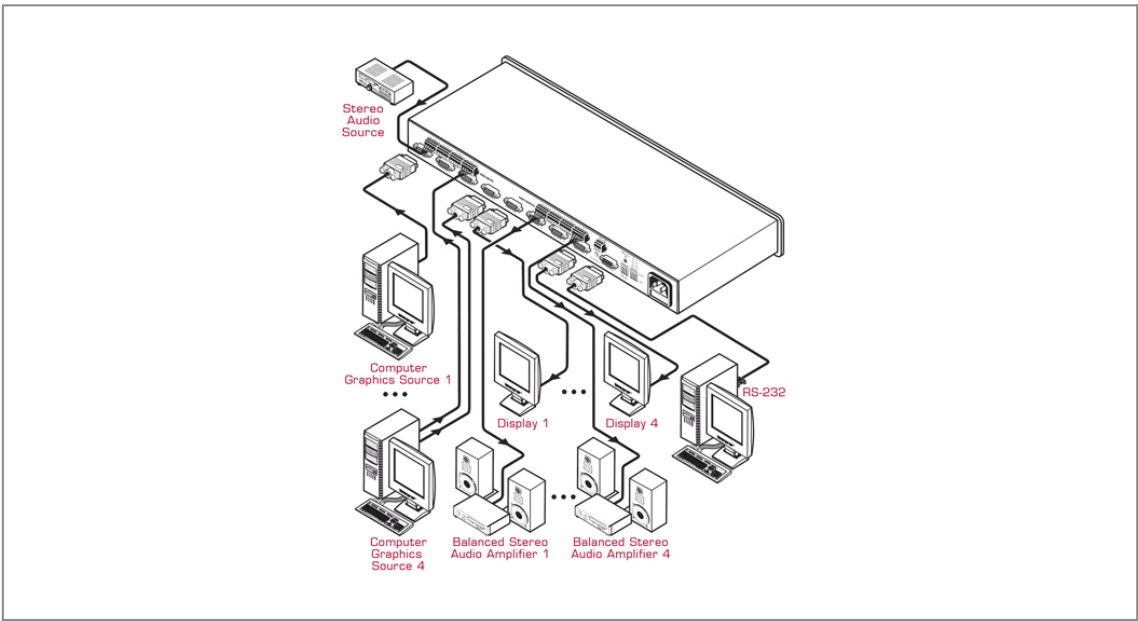


VP-4x4xl Matrix Switcher



The VP-4x4xl is a high performance matrix switcher for computer graphics video signals, with resolutions ranging from VGA through UXGA and higher, and balanced stereo audio signals. It can route any or all inputs to any or all outputs simultaneously.

- High Bandwidth - 300MHz (- 3dB) fully loaded.
- HDTV Compatible.
- Control - Front panel, RS-232 (K-Router™ Windows - based Software is included), & RS-485.
- Front Panel Control Lockout.
- Take Button - Execute multiple switches all atonce.
- Memory Locations - Store multiple switches as presets to be recalled and executed when needed.
- Vertical Interval Switching - Up to a 3.5 second (user selectable) delay for clean switching.
- Audio Breakaway Switching.
- Standard 19" Rack Mount Size - 1U. Rack "ears" included.



- HD TV Computers.

- **Control** - Front panel, RS-232 (K-Router™ Windows® - based Software is included), & RS-485.
- **Front Panel Control Lockout.**
- **Take Button** - Execute multiple switches all atonce.
- **Vertical Interval Switching** - Up to a 3.5 second (user selectable) delay for clean switching.
- **Audio Breakaway Switching.**
- **Standard 19" Rack Mount Size** - 1U. Rack "ears" included.
- **Memory Locations** - Store multiple switches as presets to be recalled and executed when needed.

signals on 5-pin terminal block connectors

OUTPUTS: 4 UXGA on HD15F connectors
4 balanced audio stereo signals on 5-pin terminal block connectors

BANDWIDTH (-3dB): VIDEO: 300MHz AUDIO: 77kHz

MAX. OUTPUT LEVEL: VIDEO: 2.9Vpp AUDIO: >17Vpp

DIFF. GAIN: 0.07%

DIFF. PHASE: 0.03 Deg.

K-FACTOR: <0.05%

S/N RATIO: VIDEO: 73.5dB @5MHz AUDIO: 96dB unweighted

CROSSTALK (all hostile): VIDEO: -54dB @5MHz AUDIO: -72dB @1MHz

COUPLING: VIDEO: DC AUDIO: Input: AC; output: DC

AUDIO THD + NOISE: 0.023% @1kHz

AUDIO 2nd HARMONIC: 0.002% @1kHz

CONTROLS: Input-output selector, AFV, STO, TAKE, LOCK, VID, AUD, RCL, RS-485, RS-232, REMOTE IR

POWER SOURCE: 100-240V AC, 3VA max.

DIMENSIONS: 19-inch (W), 7-inch(D) 1U (H) rack mountable

WEIGHT: 2.7kg. (6 lbs.) approx

ACCESSORIES: Power cord, Null modem adapter, Windows®-based control software