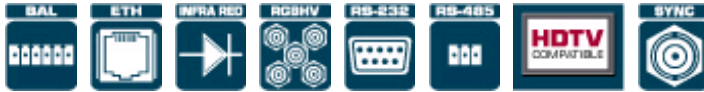


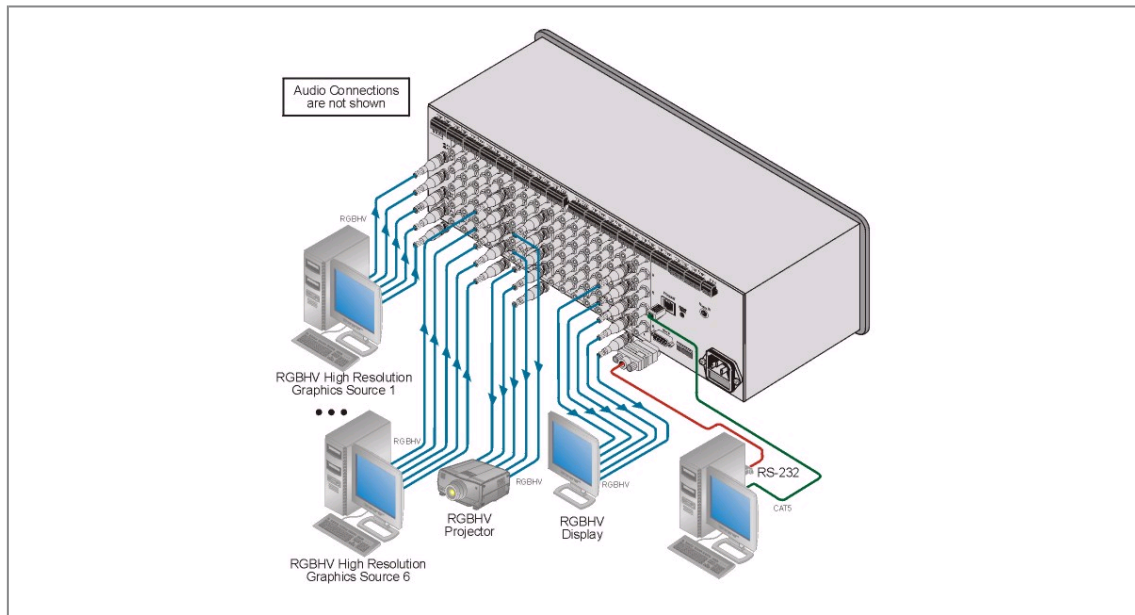


VP-88ETH

8x8 RGBHV/Balanced Audio Matrix Switcher



The VP-64ETH, VP-66ETH, VP-82ETH, VP-84ETH, and **VP-88ETH** are high performance matrix switchers for RGBHV and balanced stereo audio signals. They can route any or all inputs to any or all outputs simultaneously.





VP-88ETH

FEATURES

- High Bandwidth - 300MHz (- 3dB) fully loaded.
- HDTV Compatible.
- Control - Front panel, RS-232 (K-Router™ Windows® - based software is included), RS-485, Ethernet, & IR Remote (included).
- Take Button - Execute multiple switches all at once.
- Memory Locations - Store multiple switches as presets to be recalled and executed when needed
- Audio Breakaway Switching.
- Standard 19" Rack Mount Size - 3U.

TECHNICAL SPECIFICATIONS

INPUTS:	8x3 video (RGB): 0.7 Vpp/75ohm, on BNCs; 1 Sync/Video Genlock with sync select switch 1Vpp/75ohm on a BNC; 8x2 Hs & Vs, TTL level/510 ohm or Video 0.7 Vpp/75ohm, on BNCs; 8 balanced stereo audio, +4dBm/33kohm, on detachable terminal blocks
OUTPUTS:	8x3 video (RGB): 0.7 Vpp/75ohm, on BNCs; 8x2 Hs & Vs, TTL level/510 ohm or Video 0.7 Vpp/75ohm, on BNCs; 8 balanced stereo audio, +4dBm/33kohm, on detachable terminal blocks
MAX. OUTPUT LEVEL:	VIDEO: 0.7 Vpp (RGB) AUDIO: +4dBm/150ohm (24Vpp max.)
BANDWIDTH (-3dB):	VIDEO: 300MHz, Fully Loaded AUDIO: 100kHz
S/N RATIO: VIDEO:	74dB AUDIO: 84dB unweighted, (1Vpp)
CROSSTALK (all hostile):	VIDEO: <-50dB @ 5MHz
CONTROLS:	Manual, RS-232, RS-485 or ETHERNET
AUDIO THD:	0.025% (1V, 1kHz)
POWER SOURCE:	230VAC, 50/60 Hz, (115VAC, U.S.A.)
DIMENSIONS:	19" x 7" x 3U
WEIGHT:	5.5kg (12.2lbs) approx.
ACCESSORIES:	Power cord, Windows®-based Configuration Manager XPort software and Com Port Redirector, Windows®-based Kramer control software, Null-modem adaptor