

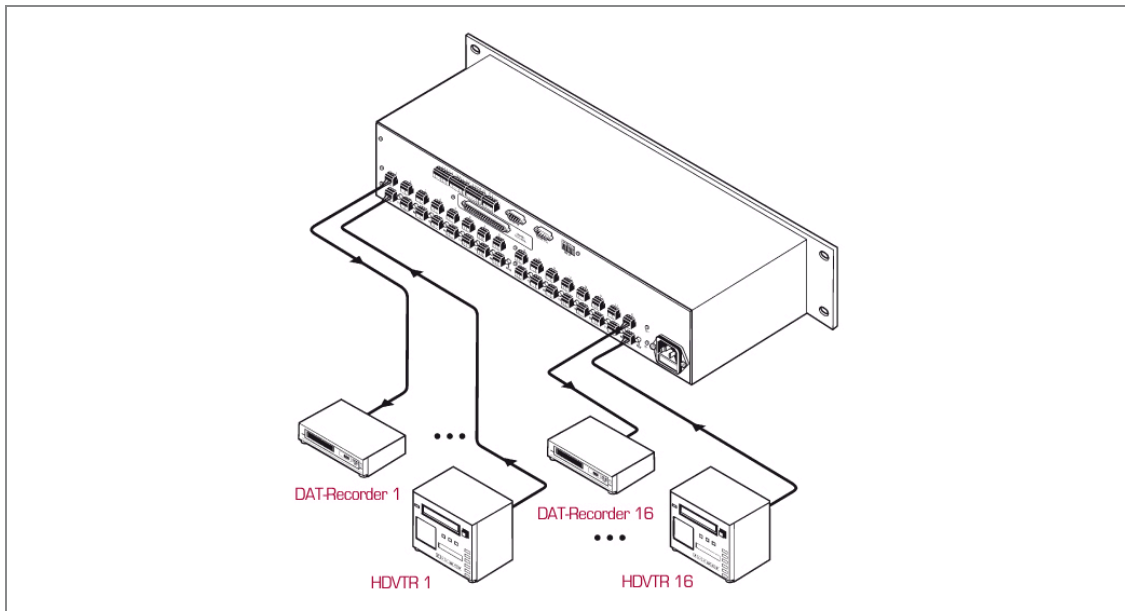


VS-1616AD

16 x 16 Serial Digital Audio Matrix



The **VS-1616AD** is a high performance matrix switcher for digital audio (S/PDIF & AES/EBU) signals. It can route any or all inputs to any or all outputs simultaneously on 110 ohm twisted pair cable.





VS-1616AD

FEATURES

- **Standards** - AES/EBU, IEC 958, S/PDIF, & EIAJ CP340/1201.
- **Reclocking & Equalization** - Automatic.
- **Control** - Front panel, RS-232 (K-Router™ Window® - based software is included), & RS-485, contact closure, & IR Remote (included).
- **Expandable** - To 96x96 (on DB-37F).
- **Standard 19" Rack Mount Size** - 2U.

TECHNICAL SPECIFICATIONS

INPUTS:	16 equalized Digital Audio, 110 Ω on detachable terminal, transformer coupled.
OUTPUTS:	16 reclocked Digital Audio, 110 Ω on detachable terminal, transformer coupled; 16 digital audio expansion lines for up to 96/96 in/outs on DB-37F
SAMPLING RATES:	32,44.1,48, 96 kHz sampling frequencies
EQUALIZATION:	Automatic up to 200mV eye pattern
STANDARDS:	AES/EBU, IEC 958, S/PDIF and EIAJ CP340/1201
CONTROLS:	Manual via front panel touch switches, RS-232 and RS-485
DISPLAY:	Current switcher status and setup on backlight LCD
POWER SOURCE:	115/230 VAC, 50/60 Hz, 23VA
DIMENSIONS:	19-inch (W) x 7-inch (D) x 2U (H), rack mountable
WEIGHT:	3.5 kg. (7.8 lbs.) Approx
ACCESSORIES:	Power cord, Windows™ control software, Null modem adapter