

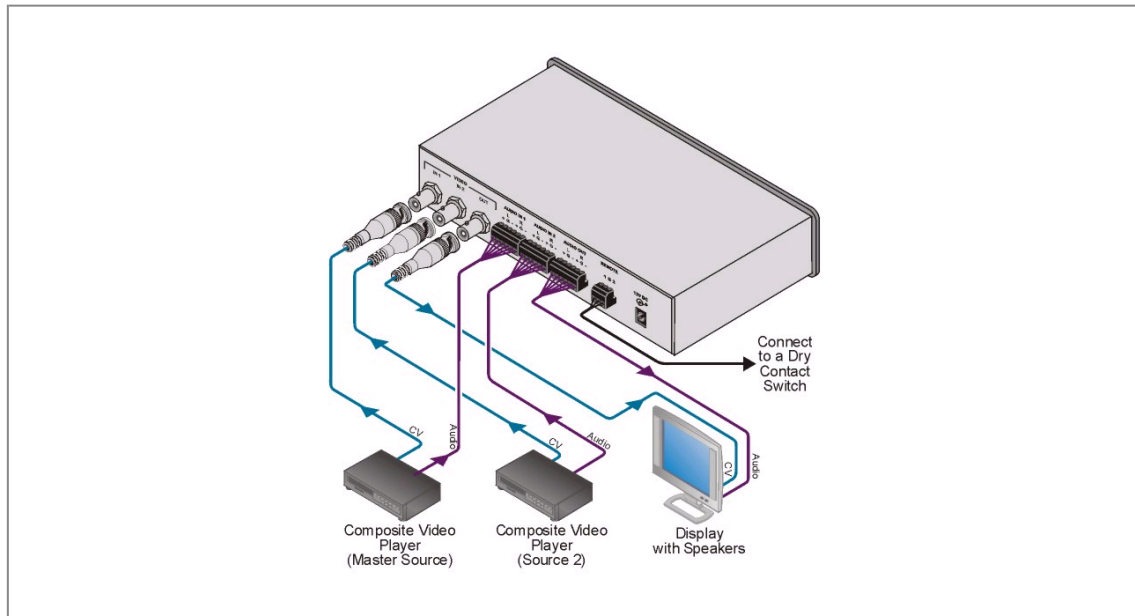


VS-24xl

2x1 Video Audio Standby Switcher



The **VS-24xl** is a high performance switcher for composite and balanced stereo audio signals. When configured as a stand-by switcher, it will switch to input 2 when the input 1 signal is interrupted.





VS-24xl

FEATURES

- **High Bandwidth** - 620MHz (- 3dB).
- **Control** - Automatic, front panel or contact closure.
- **Automatic Standby Switching (On/Off)** - When enabled, during any interruption of the input 1 signal (default), input will automatically switch to the output.
- **Level (Gain) and EQ (Peaking) Controls.**
- **Desktop Size** - Compact size. Two units can be rack mounted side-by-side in a 1U rack space with the optional RK-50RN adapter.

TECHNICAL SPECIFICATIONS

OPTIONS:	RK-1 19" rack adapter.
INPUTS:	2 composite video 1Vpp/75 Ω on BNC connectors. 2 balanced stereo audio +4dBm on detachable terminal block connectors
OUTPUTS:	1 composite video 1Vpp/75 Ω on a BNC connector. 1 balanced stereo audio +4dBm on detachable terminal block connector
MAX. OUTPUT LEVEL:	Video: 2.1 Vpp @ 100% color bars
VIDEO BANDWIDTH:	620 MHz -3dB.
AUDIO BANDWIDTH:	20 kHz.
DIFF. GAIN:	0.03%
DIFF. PHASE:	0.03 Deg.
K-FACTOR:	<0.05%
S/N RATIO:	Video: 74 dB; Audio: 71dB weighted
CROSSTALK:	Video: -56.3 dB; Audio: -65.8dB @ 1 kHz
CONTROLS:	Video Level: -0.8 to +6.4dB; EQ.: 0 to +12.8dB
AUDIO THD + NOISE:	0.019%
AUDIO 2nd HARMONIC:	0.002%
DIMENSIONS:	22cm x 18cm x 4.5 cm (8.7" x 7" x 1.7") W, D, H (half 19", 1U)
POWER SOURCE:	12 VDC, 69 mA
WEIGHT:	1.2 kg. (2.65 lbs.) approx.
ACCESSORIES:	12V Power supply, RK-80