

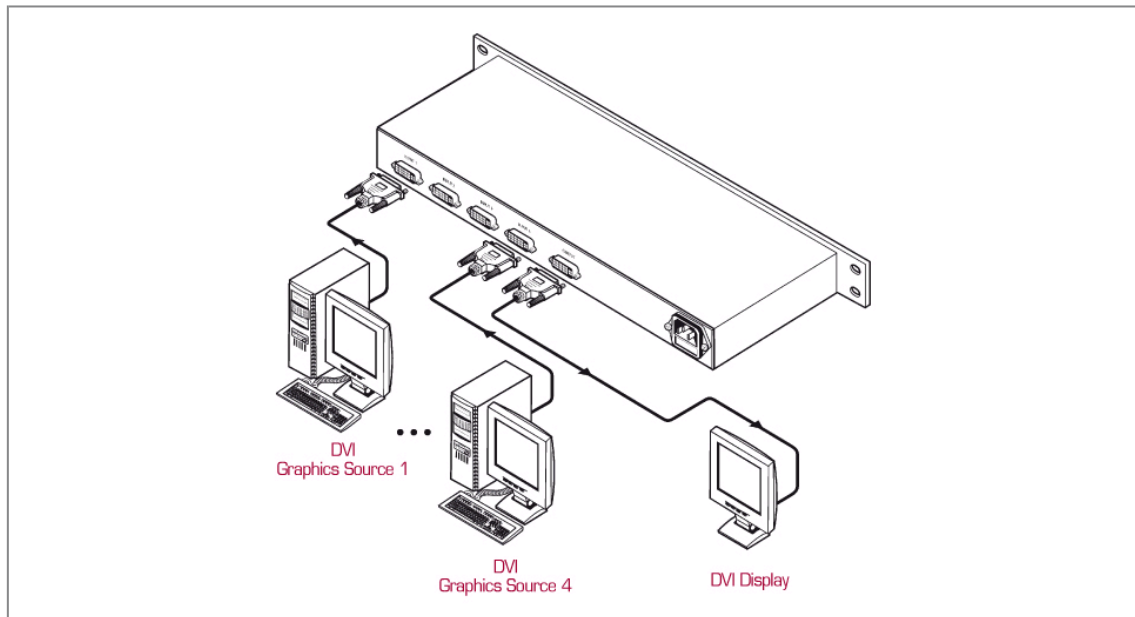


VS-41DVI-R

4x1 DVI Reclocking Switcher



The **VS-41DVI-R** is a high performance switcher for DVI-D video signals. It reclocks and equalizes the signal and switches to a single output.





VS-41DVI-R

FEATURES

- Max Data Rate - 1.65Gbits/sec.
- Input/Outputs - DVI-D signals on DVI-I connectors.
- Standard 19" Rack Mount Size - 1U.
- World Wide Power Supply - 90-240V AC.
- INPUTS: - 4 DVI, 1.2Vpp on a DVI Molex 24pin female connector; DDC signal 5Vpp (TTL).

TECHNICAL SPECIFICATIONS

OUTPUT: 1 DVI, 1.2Vpp on DVI Molex 24pin female connectors; DDC signal 5Vpp (TTL).

BANDWIDTH 1.65 Gbits/sec

CONTROL: 7 illuminated front-panel touch switches, EDID selection control

POWER SOURCE: 18 Watts (maximum) 90-240V AC.

DIMENSIONS: 19-inch (W), 7-inch (D), 1U (H).

WEIGHT: 2.5kg (5.5lbs) approx.

ACCESSORIES: Power cord.

ACCESSORIES: Power cord.