

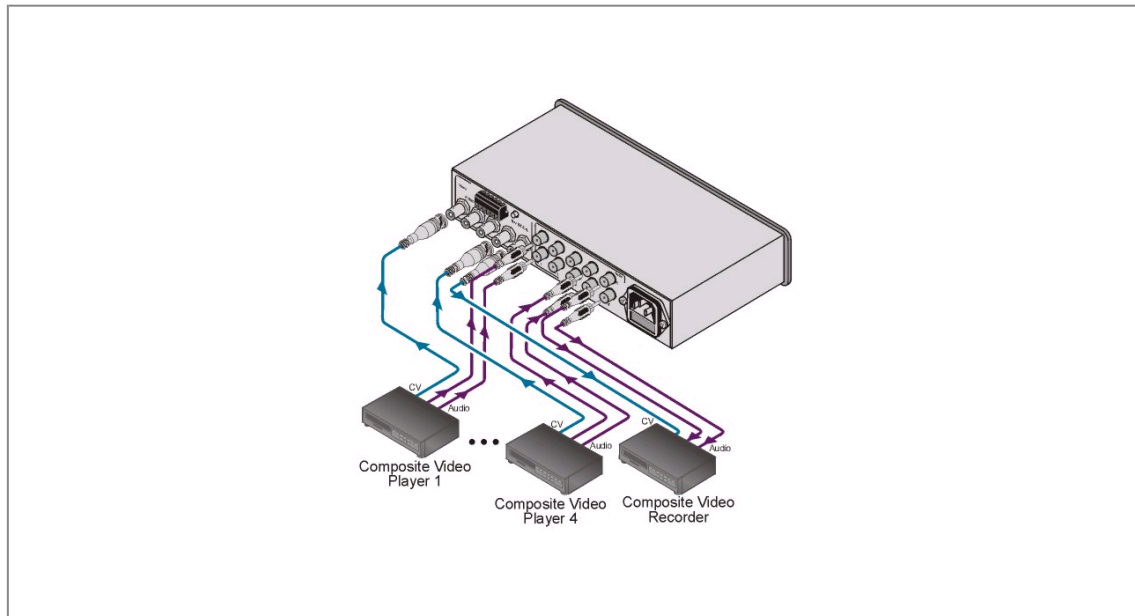


## VS-421

4x1 Video Audio Switcher



The **VS-421** is a high performance switcher for composite video and unbalanced audio signals. It switches any one of four audio and video signals to a single audio and video output.





## VS-421

---

### FEATURES

---

- **High Bandwidth** - 330MHz (- 3dB).
- **Switching** - Vertical interval or immediate (selectable).
- **Control** - Front panel or contact closure.
- **Desktop Size** - Compact size. Can be rackmounted in a 1U rack space with the optional RK-MEDN adapter.

### TECHNICAL SPECIFICATIONS

---

INPUTS:	4 composite video / SDI, 1Vpp/75 $\Omega$ , on BNCs. 4 audio stereo (or balanced mono), +30 dBm typ. on RCAs.
OUTPUTS:	1 Composite Video, 1Vpp/75 $\Omega$ on BNCs. 1 Audio-stereo / Balanced mono +30 dBm typ. on RCAs.
VIDEO BANDWIDTH:	330 MHz -3dB.
AUDIO BANDWIDTH:	50 kHz -1dB.
NON LINEARITY:	0.1%.
DIFF. GAIN:	0.1%.
CONTROL:	4 front panel touch switches, Contact closure
DIFF. PHASE:	0.03%.
K-FACTOR:	<0.05%
LUMA S/N:	>71 dB.
SWITCHING:	Vertical Interval or immediate.
VIDEO CROSSTALK:	-65dB (SYNC)
DIMENSIONS:	24.5cm X 18cm X4.5cm (9.6" x 7" x 1.7", W, D, H.).
POWER SOURCE:	230 VAC, 50/60 Hz, (115VAC U.S.A.)4.6 VA.
WEIGHT:	1.4 kg. (3.1 lbs.) Approx.
ACCESSORIES:	Power cord
OPTIONS:	Rack mount kit model RK-MEDN