

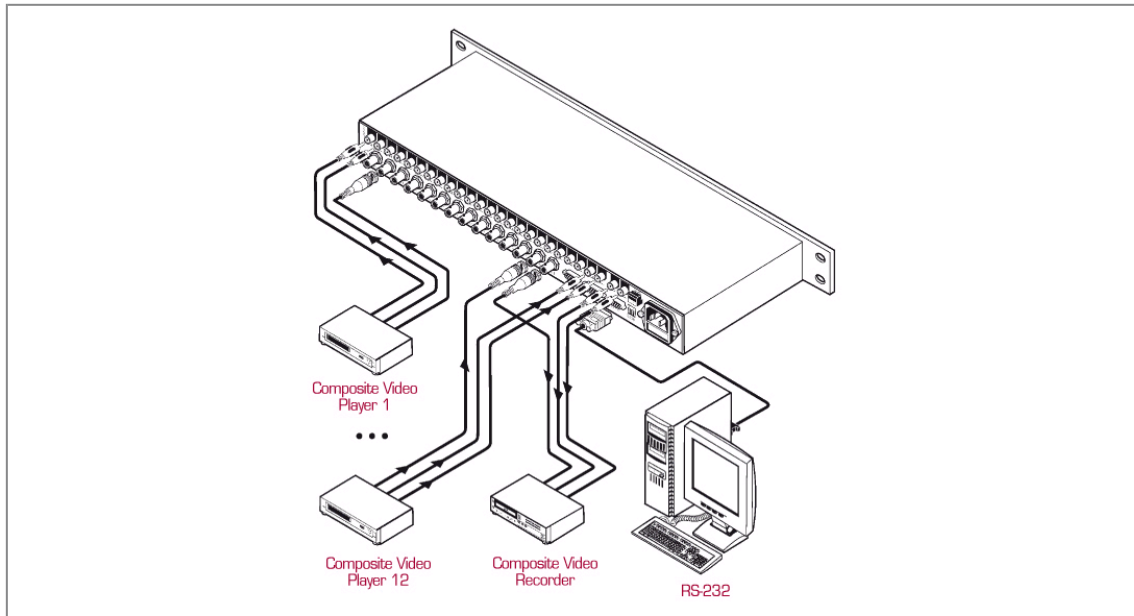


## VS-601xlm

Vertical Interval Video Audio Switchers



The VS-401xlm, VS-601xlm, VS-801xlm, VS-1001xlm, and VS-1201xl are high performance video and unbalanced audio signals. Switching during the vertical interval ensures glitch-free switching with genlocked sources.





## VS-601xlm

---

### FEATURES

---

- **High Bandwidth** - 400MHz (- 3dB) for XLM & 250MHz for VS-1201xl.
- **Vertical Interval Switching.**
- **Switching Synchronization** - Synchronize either to external reference or the incoming video.
- **Control** - Front panel RS-232 K-Router™ Window® - based software is included), RS-485, & contact closure.
- **Outputs** - 3 audio & video (xlm models).
- **Standard 19" Rack Mount Size** - 1U.

### TECHNICAL SPECIFICATIONS

---

<b>INPUTS:</b>	10, 8, 6, 4 composite / single component Video, 1Vpp/75 Ω , on BNCs. 10, 8, 6, 4 audio stereo, +4dBm, 10kΩ, on RCA connectors. 1 external sync input (or composite video) 1Vpp/75 Ω on a BNC connector, RS-232 on 9pin D-sub, RS-485 on terminal block, contact closure on 15pin D-sub.
<b>OUTPUTS:</b>	1 : 3 composite / single component video, 1Vpp/75Ω on a BNC. 1 x 3 audio stereo up to +28Vpp /50Ω, (24dBm) on RCAs.
<b>BANDWIDTH (VIDEO):</b>	400 MHz -3dB (typical).
<b>BANDWIDTH (AUDIO):</b>	55 kHz, -0.1dB.
<b>NON LINEARITY:</b>	< 0.1%
<b>AUDIO THD+NOISE:</b>	0.02%.
<b>DIFF. PHASE:</b>	0.03 Deg.
<b>DIFF. GAIN:</b>	0.04%.
<b>2nd HARMONIC:</b>	<0.003% (1kHz).
<b>AUDIO CROSSTALK:</b>	-79 dB.
<b>VIDEO S/N:</b>	>77 dB.
<b>AUDIO S/N RATIO:</b>	> 90 dB, Unweighted.
<b>K-FACTOR:</b>	<0.05%.
<b>CONTROL:</b>	4-10 illuminated front-panel touch switches, RS-232, RS-422, contact closure.
<b>DIMENSIONS:</b>	19 inch (W), 7 inch (D) 1U (H) rack mountable.
<b>POWER SOURCE:</b>	230 VAC, 50/60 Hz, (115VAC U.S.A.) 16 VA (VS-1211).
<b>WEIGHT:</b>	3.1 kg (6.88 lbs.) Approx.
<b>ACCESSORIES:</b>	Power cord, Windows 95/98 control software, Null modem adapter.