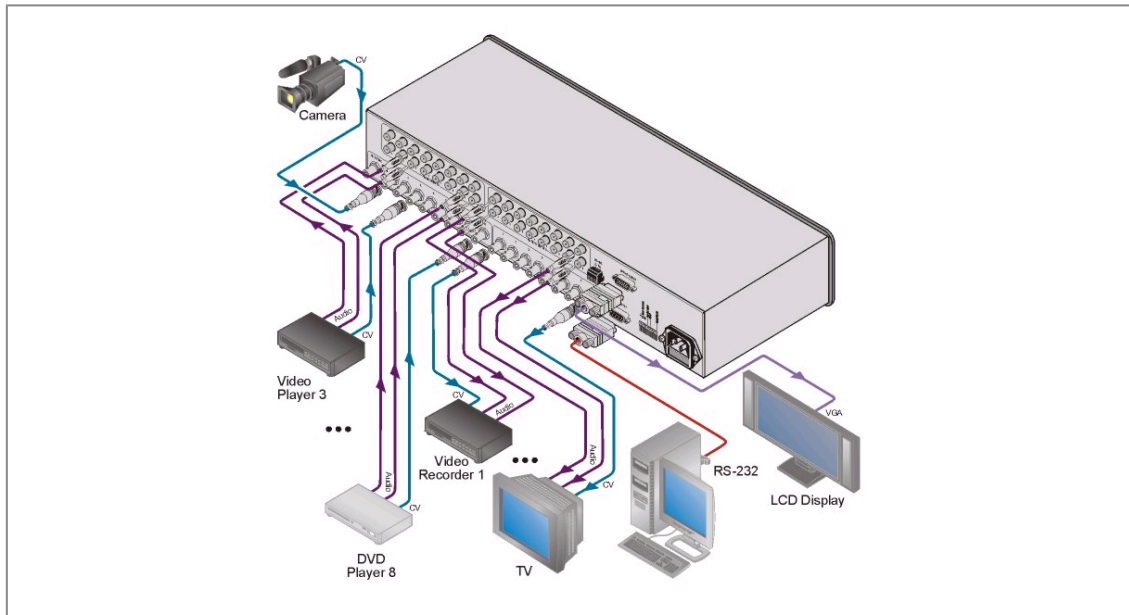


The Kramer **VS-808DS** is a high performance matrix switcher for composite video and unbalanced stereo audio signals. It can simultaneously route any or all inputs to any or all outputs plus one scaled computer graphics output.

- High Bandwidth - 200MHz (- 3dB) fully loaded.
- Switching Synchronization - Synchronize either to external reference or the incoming video.
- Scaled Output Resolutions - VGA (640x480), SVGA (800x600), XGA (1024x768), WXGA (1366x768).
- Front Panel Lockout.
- Memory Locations - Store multiple switches as presets (salvos) to be recalled and executed when needed.
- Take Button - Execute multiple switches all at once.
- Audio Breakaway Switching.
- Vertical Interval Switching.
- Flexible Control Options - RS-232 (K-Router™ Windows®-based software is included), RS-485, IR remote (included).
- Worldwide Power Supply - 100-240V.
- Standard 19" Rack Mount Size - 2U. Rack "ears" included.





- Switching Synchronization Synchronizes either to external reference or the incoming video.
- Scaled Output Resolutions - VGA (640x480), SVGA (800x600), XGA (1024x768), WXGA (1366x768).
- Scaled Output - Same as composite video output 8.
- Front Panel Lockout.
- Memory Locations - Store multiple switches as presets (salvos) to be recalled and executed when needed.
- Take Button - Execute multiple switches all at once.
- Audio Breakaway Switching.
- Vertical Interval Switching.
- Flexible Control Options - RS-232 (K-Router Windows®-based software is included), RS-485, IR remote (included).
- Worldwide Power Supply - 100-240V.
- Standard 19" Rack Mount Size - 2U. Rack "ears" included.

Sync/Video Genlock 1Vpp/75Ω with sync select switch 8 stereo audio on RCA connectors, 4dBm nominal.

OUTPUTS: 8 composite video, 1Vpp/75Ω on BNC connectors. 8 audio stereo, on RCA connectors, 4dBm nominal 1 XGA on an 15-Pin HD connector.

SCALED OUTPUT RESOLUTIONS: VGA (640 x 480), SVGA (800 x 600), XGA (1024 x 768), WXGA (1366 x 768).

MAX. OUTPUT LEVEL: VIDEO: 2.2Vpp (CV), 0.77Vpp (XGA) AUDIO: 22dBm.

BANDWIDTH (-3dB): VIDEO: 200MHz AUDIO: 100kHz.

DIFF. GAIN: 0.05% (CV).

DIFF. PHASE: 0.03°. (CV).

K-FACTOR: <0.05% (CV).

NON-LINEARITY: 0.1%.

S/N RATIO: Video: 74dB (CV); Audio: 88dB unweighted.

VIDEO CROSSTALK (all hostile): -50dB @5MHz.

CONTROLS: Manual, RS-232 or RS-485.

COUPLING: Video: DC; Audio: Input: AC, output: DC.

AUDIO THD + NOISE: 0.16%.

AUDIO 2nd HARMONIC: 0.004%.

POWER SOURCE: 100-240V AC, 50/60Hz, 18VA.

DIMENSIONS: 19" x 7" x 2U W, D, H, rack mountable.

WEIGHT: 1.94kg (4.3lbs) approx.

ACCESSORIES: Power cord, rack ears.