

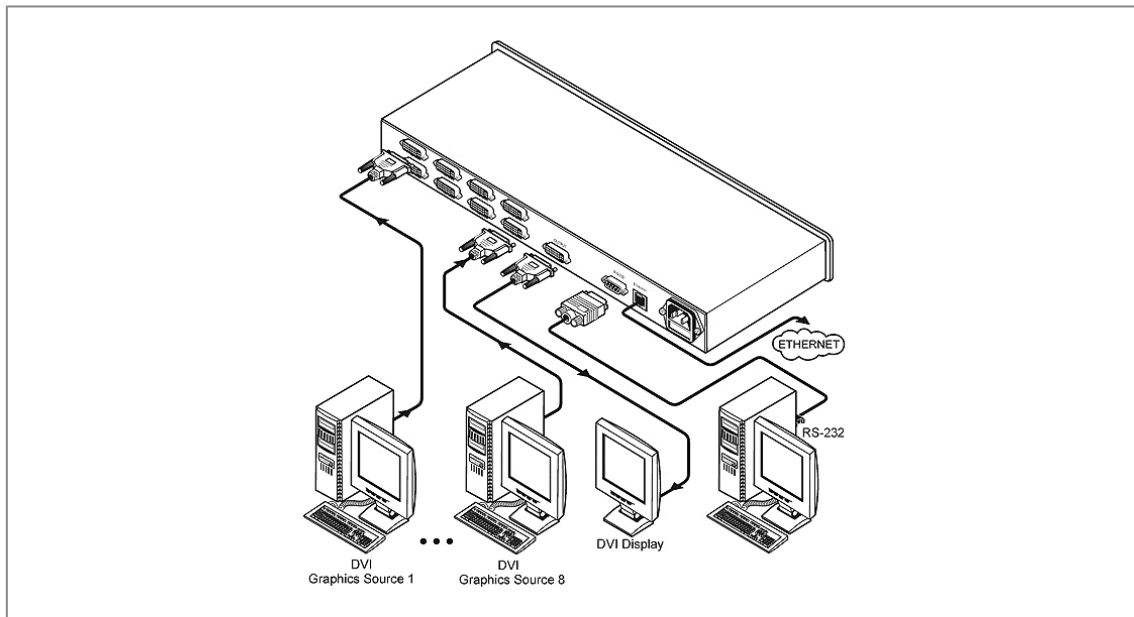


VS-81DVI-R

8x1 DVI Switcher



The **VS-81DVI-R** is a high performance switcher for DVI-D video signals. It reclocks and equalizes the signal and switches to a single output.





VS-81DVI-R

FEATURES

- Maximum Data Rate - 1.65Gbps
- Active Source Indication™ Reportir Function - Each input button on the front panel automatically lights up when the unit detects a video signal on the input.
- Inputs/Outputs - DVI-D signals on a DVI-I Connector
- Control Options - Front Panel, RS-232 & Ethernet
- Enhanced EDID (Extended Display Identification Data) - The unit can store and recall a default EDID setting in non-volatile memory from the output allowing convenient and reliable connection to the source.
- Numerical LED Active Input Indicator
- Front Panel Lock Out
- Signal Mute - Front Panel Video Output Disconnect
- Standard 19" Rack Mount Size - 1U
- Worldwide Power Supply - 100 - 264V AC

TECHNICAL SPECIFICATIONS

INPUTS:	8 DVI-D, 1.2Vpp on DVI Molex 24pin female connectors; DDC signal 5Vpp (TTL)
OUTPUT:	1 DVI-D, 1.2Vpp on a DVI Molex 24pin female connector; DDC signal 5Vpp (TTL)
RESOLUTION:	Up to UXGA
POWER SOURCE:	100-264VAC; 50/60Hz
CONTROLS:	Front panel buttons, Infra-red remote control transmitter, RS-232, Ethernet
DIMENSIONS:	19 inch (W), 7 inch (D), 1U (H)
WEIGHT:	2.5 kg. (5.5 lbs.) approx.
ACCESSORIES:	Power cord