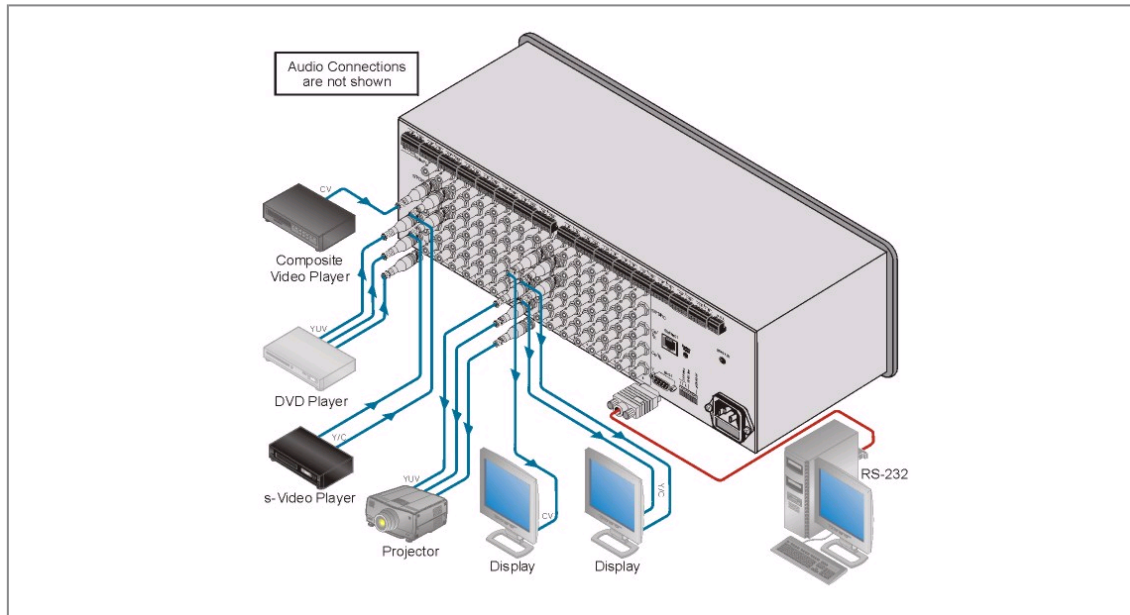


The **VS-88HCB** is a high-performance universal matrix switcher for composite video, s-Video (Y/C), component video (YUV), balanced stereo, and S/PDIF audio signals. It can route any or all inputs to any or all outputs simultaneously.

- High Bandwidth – 300MHz (-3dB) fully loaded.
- HDTV Compatible.
- Inputs / Outputs – 5 BNCs per channel for composite, s-Video (Y/C), component (YUV) video, and S/PDIF audio. No format transcoding.
- Balanced Stereo Audio – On terminal block connectors.
- Audio Breakaway Switching - Balanced Stereo Audio.
- Take Button – Executes multiple switches all at once.
- Memory Locations – Stores multiple switches as presets for recall and execution as needed.
- Flexible Control – Front panel, RS-232 (K-Router™ Windows®-based software is included), RS-485, Ethernet, IR Remote (included).
- Standard 19" Rack Mount Size – 3U. Rack "ears" included.

Note: The S/PDIF audio does not breakaway



HD TV Computers:

- **Inputs / Outputs** - 5 BNCs per channel for composite, s-Video (Y/C), component (YUV) video, and S/PDIF audio. No format transcoding.
- **Balanced Stereo Audio** - On terminal block connectors.
- **Audio Breakaway Switching** - Balanced Stereo Audio.
- **Take Button** - Executes multiple switches all at once.
- **Memory Locations** - Stores multiple switches as presets for recall and execution as needed.
- **Flexible Control** - Front panel, RS-232 (K-Router™ Windows-based software is included), RS-485, Ethernet, IR Remote (included).

Size
 Note: The S/PDIF audio does not breakaway
INPUTS:

5x8 composite video 1Vpp/75Ω and S/PDIF digital audio or s-Video 1Vpp/75Ω (Y), 0.3Vpp/75Ω (C); and component video 1Vpp/0.7Vpp/75Ω on BNC connectors 8 balanced stereo audio, +4dBm/33kΩ, on detachable terminal blocks

OUTPUTS:

5x8 composite video 1Vpp/75Ω and S/PDIF digital audio or s-Video 1Vpp/75Ω (Y), 0.3Vpp/75Ω (C); and component video 1Vpp/0.7Vpp/75Ω on BNC connectors 8 balanced stereo audio, +4dBm/150Ω, on detachable terminal blocks

MAX. OUTPUT LEVEL: VIDEO: 2.8Vpp AUDIO: 24Vpp

BANDWIDTH (-3dB): VIDEO: 300MHz, Fully Loaded AUDIO: 100kHz

S/N RATIO: VIDEO: 74dB AUDIO: 84dB unweighted, (1Vpp)

CROSSTALK (all hostile): VIDEO: <-50dB @5MHz

CONTROLS: Manual, RS-232, RS-485 and ETHERNET

AUDIO THD: 0.025% (1V, 1kHz)

POWER SOURCE: 100 - 240V AC, 50/60Hz, 23VA

DIMENSIONS: 19" x 7" x 3U

WEIGHT: 5.5kg (12.2lbs) approx.