

Product Specifications

PGA58 Cardioid Dynamic Vocal Microphone

Overview

The PGA58 Dynamic Vocal Microphone is a professional quality microphone featuring highly durable design and construction that delivers excellent sound. Ideal for use in lead and backup vocal performance applications, the PGA58 comes with an on/off switch, swivel adapter, carrying pouch and choice of XLR or QTR (6,3 mm) cable.

Features

- Tailored microphone cartridge design for natural clarity in the frequency range of vocal performance
- Cardioid polar pattern picks up audio from the source while rejecting unwanted noise
- Updated industrial design with black metallic finish and grille for unobtrusive visual presence
- Available with XLR or QTR cable for flexibility in gear choice
 - 4.6 m XLR-XLR cable
 - 4.6 m XLR-QTR (6,3 mm) cable
- On/Off switch for discrete control of microphone operation
- Stand adapter for mounting to a microphone stand
- Zipper pouch included for additional protection during storage or transport
- Legendary Shure quality design and construction for exceptional performance in rigorous environments



PGA58

Product Specifications

Type	Dynamic (moving coil)
Frequency Response	50 to 16,000 Hz
Polar Pattern	Cardioid
Output Impedance	150 Ω
Sensitivity	-55 dBV/Pa (1.79 mV) <i>at 1 kHz, open circuit voltage</i> 1 Pa=94 dB SPL
Polarity	Positive pressure on diaphragm produces positive voltage on pin 2 with respect to pin 3
Weight	294 g
Switch	On/off switch
Connector	Three-pin professional audio (XLR), male
Operating Temperature	-29 to 74 °C
Operating Humidity	0 to 95%

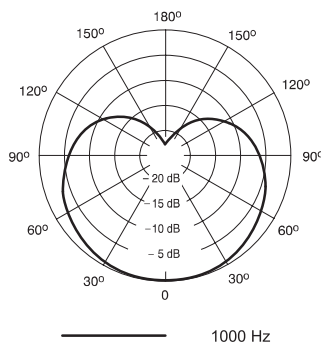
Available SKUs

PGA58-XLR	Microphone, clip, stand adapter, pouch and 4.6 m XLR-to-XLR cable
PGA58-QTR	Microphone, clip, stand adapter, pouch and 4.6 m XLR-to-6,3 mm cable
PGA58-BTS	Microphone, clip, stand adapter, pouch, boom microphone stand and 4.6 m XLR-to-XLR cable

Accessories

A25D	Break-resistant microphone clip
A58WS	Black foam windscreen
31A1856	5/8" to 3/8" thread adapter
C25J	7.6 m XLR-to-XLR cable
RPMP58G	Replacement PGA58 black mesh grille

Polar Pattern



Frequency Response

