

# Outstanding Visibility with High Reliability

## XE Series

The XE series provides the optimal solution to satisfy the high demand for accurate information delivery and operational efficiency. With superior picture quality and excellent durability, this outdoor display delivers eye-catching content to captivate customers even under direct sunlight or extreme changes in the environment.

**BURGER**



| HAMBURGERS            |        |
|-----------------------|--------|
| Mega                  | \$4.00 |
| Super                 | \$3.50 |
| Regular               | \$3.00 |
| Combo Drinks Roll-Ups |        |

| HOTDOGS               |        |
|-----------------------|--------|
| Mega                  | \$4.00 |
| Super                 | \$3.50 |
| Regular               | \$3.00 |
| Combo Drinks Roll-Ups |        |

| DRINKS   |        |
|----------|--------|
| Soda     | \$1.50 |
| Powerade | \$1.50 |
| Poppi    | \$2.50 |
| CocaCola | \$1.50 |

| COFFEES    |        |
|------------|--------|
| Espresso   | \$1.00 |
| Cappuccino | \$1.50 |
| Mocha      | \$1.50 |
| Latte      | \$1.50 |

| LUNCH SPECIAL  |     |
|----------------|-----|
| CHEESE BURGER  | \$4 |
| BIG BURGER SET | \$6 |

| NEW             |       |
|-----------------|-------|
| BEEF BURGER     | \$4.5 |
| CHICKEN NUGGETS | \$2   |

# Outstanding Visibility with High Reliability

## XE Series

### Outstanding Visibility

#### High Brightness

With a powerful brightness of 3,000 cd/m<sup>2</sup> and wide viewing angles, the XE series delivers content clearly and catches the attention of passersby no matter where they are, making it the ultimate display for outdoor visibility.



#### Visible with Polarized Sunglasses

QWP\* enables clear visibility even when the viewer is wearing polarized sunglasses.



\* Quarter Wave Plate

# Outstanding Visibility with High Reliability

## XE Series

### Outstanding Visibility

#### Smart Brightness Control

The screen brightness is automatically adjusted depending on the ambient light. The brightness is increased in light for better visibility, while it is decreased in darkness for efficient power management.



Auto Brightness

#### No Blackening

Even under direct sunlight exposure, the open frame XE series remain free of blackening defects under 110°C and provide superior quality for outdoor usage.



Conventional

XE series

# Outstanding Visibility with High Reliability

## XE Series

### Outdoor Reliability

#### Secured Protection with IP56 Design

The XE series is sealed with IP56 design for reliable operation. It's designed to be not only waterproof but also weatherproof against the damaging effects of the sun, rain, snow, dust and wind, an essential feature for outdoor application.



#### Conformal Coating

The product can be often unavoidably exposed to dust and water during maintenance. Conformal coating on every major circuit board eliminates such circumstances by protecting it against dust, iron powder, humidity, etc.



# Outstanding Visibility with High Reliability

## XE Series

### Outdoor Reliability

#### Electrical Safety

Circuit breaker and surge suppressor are integrated inside ensuring absolute protection from overcurrent short circuits, and unwanted voltages. This type of integration establishes preventative solutions for signage's from having future damages.



\* Additional accessory is needed for 49"

#### Protective Glass

Tempered and laminated front glass ensures optimum protection, from outdoor extremities allowing minimal to no damage from external impacts.



Conventional

XE series

# Outstanding Visibility with High Reliability

## XE Series

### Outdoor Reliability

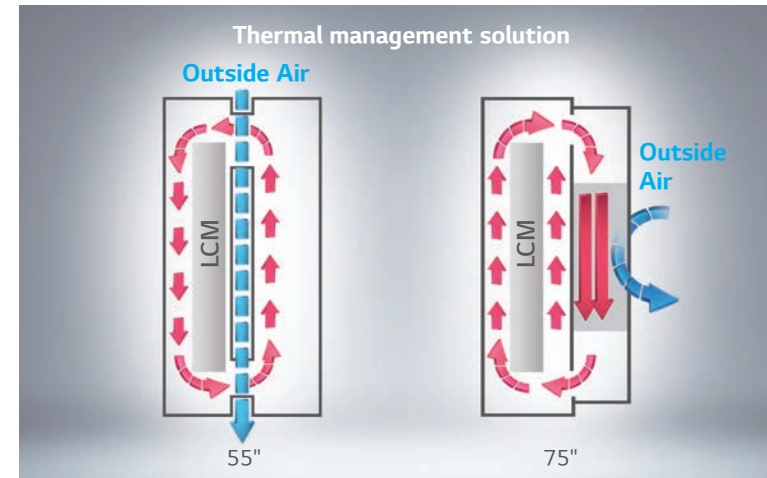
#### Wide Range of Operating Temperature

The panel offers superb reliability under a wide range of operating temperatures, so the XE series requires fewer constraints for outdoor installation.



#### Enhanced Thermal Management

The patent thermal management technology efficiently cools down the heat generated from every part of the product, preventing outside air from entering.



\* Exclusive on 75"/55"

# Outstanding Visibility with High Reliability

## XE Series

### Easy Management

#### Replaceable Front Glass

The outdoor display is exposed and is a high risk for vandalism. The protective glass of 49XEB3E can be detached from its main body which allows for an instant replacement on site.



#### Web Monitoring

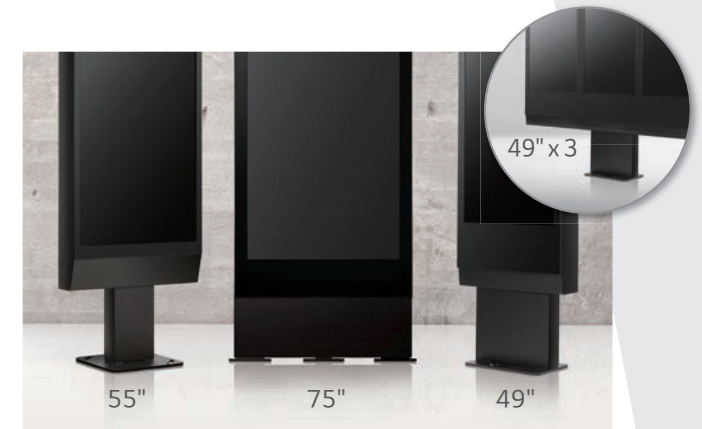
The LG Control Manger, the embedded web monitoring program, allows a variety of parameters to be diagnosed in real time such as temperature, pixel, door, ambient light, filter\*, and gyro sensors. It can be easily controlled at all times.



\* Exclusive on 49"

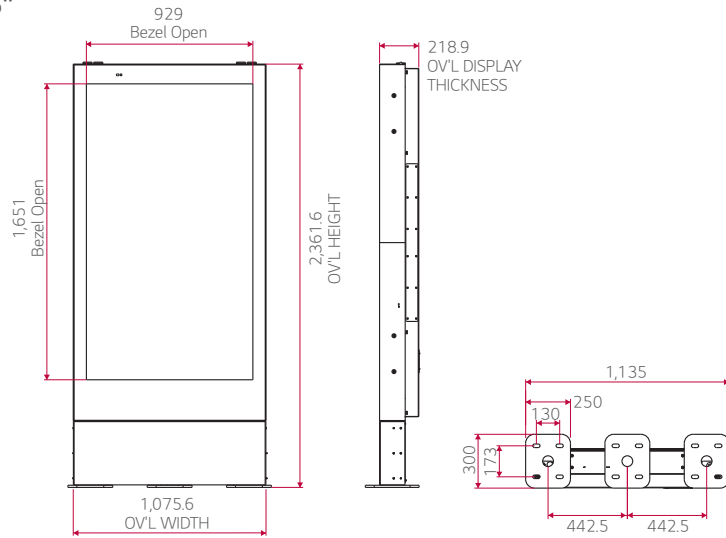
#### Optional Configuration

Optional stand accessories are provided to allow panel to stand freely on the ground and facilitate easy cable management. As for 49XEB3E, the exclusive stand for 1x3 configuration is also available to meet various business requirements.

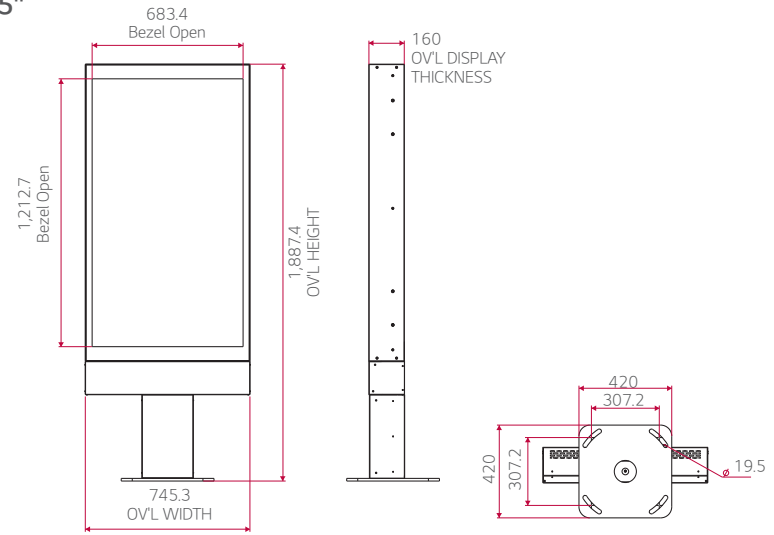


# Dimension

75"

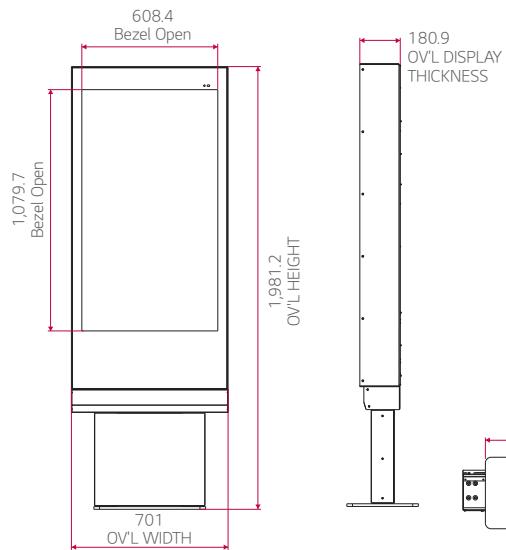


55"

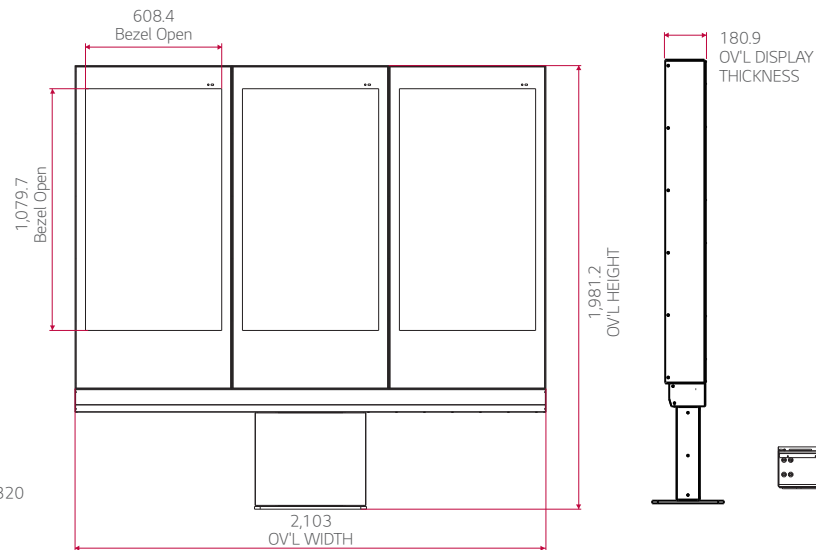


49"

(1 x 1)



(1 x 3)





# Specifications

|                          | 75XE3C   | 55XE3C   | 49XE3E   |  |
|--------------------------|--|--|--|--|
| PANEL                    | Screen Size  | 75"  | 55"  | 49"  |
|                          | Panel Technology                                   | IPS  | IPS  | IPS  |
|                          | Aspect Ratio                                       | 16 : 9   | 16 : 9   | 16 : 9   |
|                          | Native Resolution                                  | 3,840 x 2,160 (UHD), M+ (WRGB)   | 1,920 x 1,080 (FHD), M+ (WRGB)   | 1,920 x 1,080 (FHD), M+ (WRGB)   |
|                          | Brightness*  | 3,000 cd/m <sup>2</sup> (Typ.), 2,400 cd/m <sup>2</sup> (min)  | 3,000 cd/m <sup>2</sup> (Typ.), 2,400 cd/m <sup>2</sup> (Min.)                                       | 3,000 cd/m <sup>2</sup> (Typ.), 2,400 cd/m <sup>2</sup> (Min.)                                       |
|                          | Viewing Angle (H x V)                              | 178 x 178  | 178 x 178  | 178 x 178  |
|                          | Response Time                                      | 8 ms (G to G BW, Typ.)   | 9 ms (G to G BW, Typ.)   | 8 ms (G to G BW, Typ.)   |
|                          | Surface Treatment                                  | Hard Coating(2H), Anti-glare Treatment of the Front Polarizer (Haze 3% (Typ.)), QWP  | Hard Coating (2H), Anti-reflection Treatment of the Front Polarizer (Haze 3% (Typ.)), QWP            | Hard Coating (2H), Anti-reflection Treatment of the Front Polarizer (Haze 3% (Typ.)), QWP            |
|                          | QWP Polarizer                                      | Yes  | Yes  | Yes  |
|                          | Life Time  | 50,000 Hrs   | 50,000 Hrs   | 50,000 Hrs   |
| Operation Hours          | 24Hrs  | 24Hrs  | 24Hrs  |  |
| Orientation              | Portrait only                                      | Landscape & Portrait   | Portrait Only  |  |
| CONNECTIVITY             | Input  | HDMI, DP, DVI-D, Audio In, USB 3.0, SD Card  | HDMI, DP, DVI-D, Audio In, USB 3.0, SD Card  | HDMI, DP, DVI-D, Audio In, USB 3.0   |
|                          | Output   | DP, External Speaker Out   | DP, External Speaker Out   | DP, External Speaker Out   |
|                          | External Control                                   | RS232C In/out, RJ45 In   | RS232C In/out, RJ45 In   | RS232C In/out, RJ45 In   |
| PHYSICAL SPECIFICATION   | Front glass  | 9.5 mm (AR, Tempered & Laminated Glass)  | 7.5 mm (AR, Tempered & Laminated Glass)  | 6.8 mm (AR, Tempered & Laminated Glass)  |
|                          | Bezel Color  | Black  | Black  | Black  |
|                          | Bezel Width  | 110 mm (T), 230 mm (B), 73.3 mm (L/R)  | 66.4 mm (T/B), 31.0 mm (L/R)   | 103.0 mm (T), 262.0 mm (B), 46.5 mm (L/R)  |
|                          | Monitor Dimension (W x H x D)                      | 1,075.6 x 1,991.6 x 218.9 mm   | 745.3 x 1,345.4 x 160.0 mm   | 701 x 1,445 x 180.9 mm   |
|                          | Weight (Head)                                      | 180 kg   | 70 kg  | 58.6 kg  |
|                          | Monitor with Optional Stand Dimensions (W x H x D) | 1,075.6 x 2,361.6 x 218.9 mm   | 745.3 x 1,877 x 420 mm   | 745 x 1,980 x 321 mm (TBD)   |
|                          | Weight (Head+Stand)                                | 247 kg   | 103.5 kg   | 100 kg (TBD)   |
|                          | Packing Dimensions (W x H x D)                     | 1,292 x 2,296 x 468 mm   | 1,027 x 1,491 x 309 mm   | 863 x 1,624 x 333 mm   |
|                          | Packed Weight                                      | 210 kg   | 100.5 kg   | 73.4 kg  |
|                          | SPECIAL FEATURES                                   | Temperature Sensor, Auto Brightness Sensor, Pixel Sensor, Cooling FAN, ISM Method, DPM Select, Energy Saving, Smart Energy Saving, File Play with USB, Internal Memory 8GB (System 4GB + Available 4GB), USB Cloning, Easy Brightness Control, Wake on LAN, Fail Over, DP Daisy Chain, Control Manager |  |  |
| ENVIRONMENT CONDITIONS   | Operation Temperature                              | -30°C to 50°C  | -30°C to 50°C  | -30°C to 50°C  |
|                          | Operation Humidity                                 | 5% to 100%   | 5% to 100%   | 5% to 100%   |
|                          | Dust / Water Proofing                              | IP56   | IP56   | IP56   |
| POWER                    | Power Supply                                       | 100-240V~, 50/60Hz   | 100-240V~, 50/60Hz   | 100-240V~, 50/60Hz   |
|                          | Power Type   | Built-In Power   | Built-In Power   | Built-In Power   |
|                          | Power Typ./Max Consumption                         | 700 W / 1,000 W  | 350 W / 500 W  | 270 W / 400 W  |
|                          | Smart Energy Saving                                | 350 W  | 178 W  | 145 W  |
| STANDARD (CERTIFICATION) | Safety   | UL / cUL / CB  | UL / cUL / CB  | UL / cUL / CB  |
|                          | EMC  | FCC Class "A" / CE / KCC   | FCC Class "A" / CE / KCC   | FCC Class "A" / CE / KCC   |
| SOFTWARE COMPATIBILITY   | Content Management Software                        | SuperSign CMS  | SuperSign CMS  | SuperSign CMS  |
| ACCESSORIES              | Control and Monitoring Software                    | SuperSign C  | SuperSign C  | SuperSign Link   |
|                          | Basic  | Remote Controller, Manual (EIG, ESG), Regulation Book, Phone to RS232C Gender, USB Cable, HDMI Cable   | Remote Controller, Manual (EIG, ESG), Regulation Book, Phone to RS232C Gender, USB Cable, HDMI Cable | Remote Controller, Manual (EIG, ESG), Regulation Book, Phone to RS232C Gender, USB Cable, HDMI Cable |
| Optional                 | Enclosure Stand (ST-750X)                          | Enclosure Stand (ST-550X)  | Enclosure Stand (ST-491X, ST-493X), Circuit Breaker & Surge Suppressor (KT-PS)                       |  |

\* With Front Protective Glass

Download LG Commercial Display Mobile App



Apple App Store



Google Play Store

[www.lg.com/b2b](http://www.lg.com/b2b)

[youtube.com/c/LGCommercialDisplay](https://www.youtube.com/c/LGCommercialDisplay)

<https://www.facebook.com/LGInformationDisplay/>

<https://www.linkedin.com/company-beta/16235211/>

LG may make changes to specifications and product descriptions without notice.

Copyright © 2018 LG Electronics Inc. All rights reserved. "LG Life's Good" is a registered trademark of LG Corp.

The names of products and brands mentioned here may be the trademarks of their respective owners.

