



ETR Series Electric height-adjustable AV Trolleys

FEATURES

- Fully electrical height adjustable
- Universal VESA interface suitable for all screen types
- Adjustable tilt angle from 0° to 90°
- Professional industrial casters with brake mechanism

FEATURES PHOTO



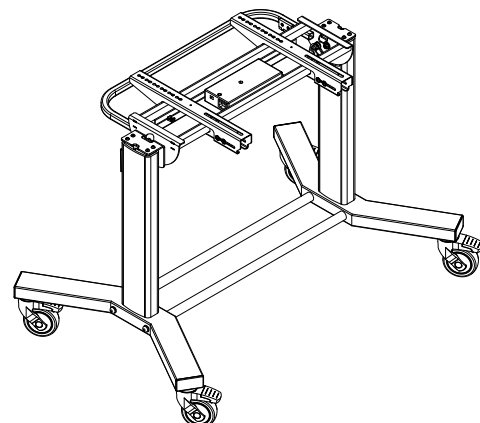
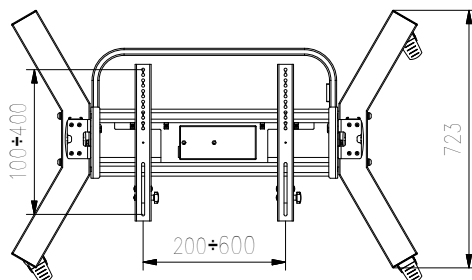
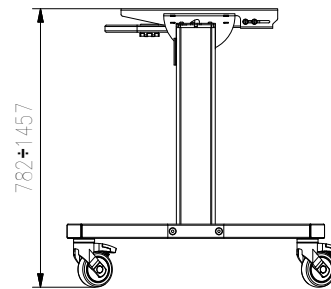
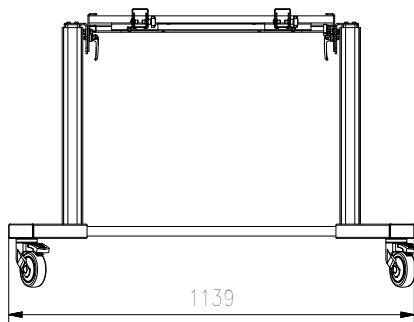
TROLLEYS

PRODUCT SPECIFICATION

Product	Screen size	Max. capacity	VESA	Weight	Dimensions (HxWxD)
ETR3	40-55"	60 kg	min. 100x100 max. 600x400	45 kg	1200x900x750 mm
ETR4	60-95"	60 kg	min. 200x100 max. 600x400	45 kg	1450x900x750 mm

H97 < B 75 @ 8F5K B; G

9HF'





9HF 4

