



FL-B HDL 6

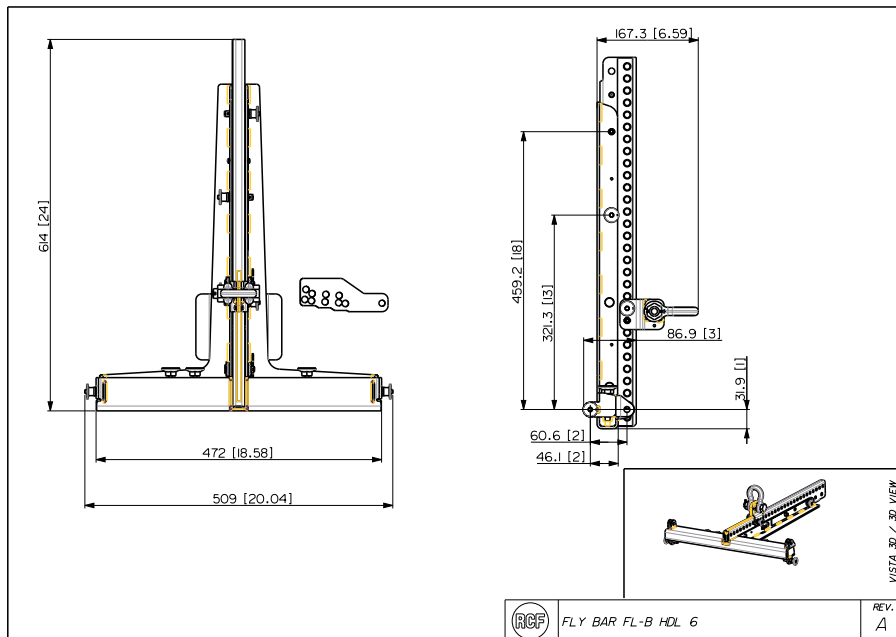
FLY BAR



Description Flybar for HDL 6-A; HDL 12-AS; HDL 26-A; HDL 35-AS + 1x Pickup Tab with Shackle + Stacking Bar + Pole Mount + M20 Adapter. Pins included.

Standard compliance Safety agency CE compliant
Size Weight 7.48 kg / 16.49 lbs
Physical specifications Color Black, White

Line Art 2D



Part Number 13360360 FL-B HDL 6 Black EAN 8024530014209
 13360373 FL-B HDL 6 W White EAN 8024530014377

Technical Specifications

Products are continually improved. All specifications are therefore subject to change without notice.