



Adeo Screen's innovative in-ceiling model InSuperior FTS, with newly designed casing that can be integrated into a ceiling or false ceiling, features the new tensioning system with double lower bar and patented FTS™ Floating Tensio System. A weight-efficient structure that eliminates deformation of the roller assembly structure allows to use more rigid fabrics and in larger sizes, offering the option of longer custom drop combinations. This screen solution also allows a more convenient and quick installation thanks to the improved new installation brackets and the new lateral cover with magnets system. In addition the casing is provided with new safety cables.

See page **60** for Technical data



Case and installation system detail ▲

### FTS™ Floating Tensio System

Tensioning system consisting of a double lower bar and tensioning cables. Lower bar consist of two weights, one of which is responsible for the vertical force of the material and the other associated with the tensioning cable system is responsible for the flatness of the material horizontally.



InSuperior end plates ▲

### Create your own screen with the PSS

- > **Personalized dimensions:** width and height
- > **Roller type:** motorized or radio integrated
- > **Case:** available only with case
- > **Case color:** available in white or custom color
- > **Height of Top:** from 5 to 140 cm
- > **Projection surface fall:** front or rear with optional reverse-roll installation
- > **Side of command/motor:** right only

### Projection Surfaces (see page 6)

- > ReferenceWhite / ReferenceGrey
- > HeliosWhite / HelioGrey
- > VisionWhite / VisionWhitePro
- > VisionAcoustik
- > VisionRear DB and VisionRear, only without black borders

### Surfaces Fireproof Certifications



### Standard Accessories

- > Kit containing eight 50 cm threaded bars for installation with maximum height of 1 m
- > Unipolar selector switch
- > Remote control (only for radio-integrated version)
- > End plates for closing the plasterboard

### PSS Formats

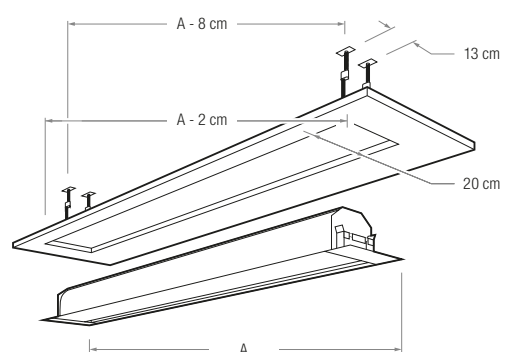
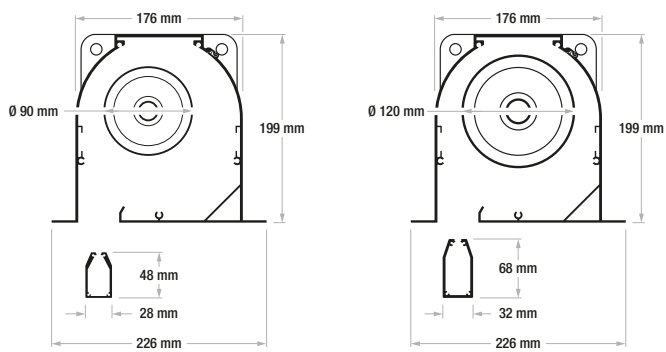
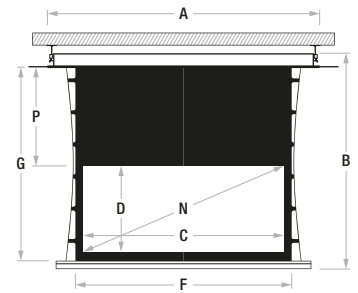
1.33:1	1.60:1	1.78:1	2.35:1	2.37:1	2.40:1
4:3	16:10	16:9	21:9		

### Optional Accessories

- > Extension brackets for screens up to 60 cm
- > Receiver and RF remote control for motorized screen (3 modalities: basic, automatic and compatible with domotic systems)
- > Receiver and RF remote control

## InSuperior Floating Tensio System 5 cm borders

Aspect Ratio	Viewing Width	Viewing Height	Diagonal Inches	Overall Width	Overall Height	Surface Width	Surface Height	Standard Drop	Lower Bar Length	Total Maximum Drop	Packaging Dimensions	Net Weight	Gross Weight
	C	D	N	A	B	I	G	P	F	mm	mm	kg	kg
<b>1,33</b> (4:3)	2000	1504	<b>99</b>	2448	2454	2280	1604	50	2302	1400	2554x340x460	61	71
	2500	1880	<b>123</b>	3008	3003	2830	1980	50	2851	1400	3103x340x460	71	81
	3000	2256	<b>148</b>	3588	3558	3400	2356	50	3406	1400	3658x340x460	79	90
	3500	2632	<b>172</b>	4134	4116	3960	2782	100	3964	1400	4216x340x460	87	99
	4000	3008	<b>197</b>	4716	4687	4540	3158	100	4535	1200	4787x340x460	93	106
	4500	3383	<b>222</b>	5308	5267	5120	3533	100	5115	500	5367x340x460	110	123
<b>1,60</b> (16:10)	2000	1250	<b>93</b>	2414	2427	2260	1350	50	2275	1400	2527x340x460	61	71
	2500	1563	<b>116</b>	2957	2961	2790	1663	50	2809	1400	3061x340x460	71	81
	3000	1875	<b>139</b>	3515	3499	3330	1975	50	3347	1400	3599x340x460	79	90
	3500	2188	<b>162</b>	4049	4044	2890	2288	100	3892	1400	4144x340x460	87	99
	4000	2500	<b>186</b>	4607	4593	4440	2650	100	4441	1400	4693x340x460	93	106
	4500	2813	<b>209</b>	5127	5149	5000	2963	100	4997	1400	5249x340x460	110	123
<b>1,78</b> (16:9)	2000	1124	<b>90</b>	2399	2416	2240	1224	50	2264	1400	2516x340x460	61	71
	2500	1404	<b>113</b>	2934	2943	2770	1504	50	2791	1400	3043x340x460	71	81
	3000	1685	<b>135</b>	3483	3473	3310	1785	50	3321	1400	3573x340x460	79	90
	3500	1966	<b>158</b>	4011	4013	3860	2066	100	3861	1400	4113x340x460	87	99
	4000	2247	<b>181</b>	4559	4553	4400	2397	100	4401	1400	4653x340x460	93	106
	4500	2528	<b>203</b>	5113	5098	4950	2678	100	4946	1400	5198x340x460	110	123
<b>2,35</b> (21:9)	2000	851	<b>86</b>	2369	2394	2220	951	50	2242	1400	2494x340x460	61	71
	2500	1064	<b>107</b>	2892	2910	2740	1164	50	2758	1400	3010x340x460	71	81
	3000	1277	<b>128</b>	3424	3427	3260	1377	50	3275	1400	3527x340x460	79	90
	3500	1489	<b>150</b>	3941	3956	3800	1589	100	3804	1400	4056x340x460	87	99
	4000	1702	<b>171</b>	4471	4480	4330	1852	100	4328	1400	4580x340x460	93	106
	4500	1915	<b>193</b>	5003	5006	4850	2065	100	4854	1400	5106x340x460	110	123
<b>2,37</b>	2000	844	<b>85</b>	2369	2394	2220	944	50	2242	1400	2010x340x460	61	71
	2500	1055	<b>107</b>	2891	2910	2740	1155	50	2758	1400	2510x340x460	71	81
	3000	1266	<b>128</b>	3422	3427	3260	1366	50	3275	1400	3010x340x460	79	90
	3500	1477	<b>150</b>	3939	3956	3800	1577	50	3804	1400	3510x340x460	87	99
	4000	1688	<b>171</b>	4469	4480	4330	1838	100	4328	1400	4010x340x460	93	106
	4500	1899	<b>192</b>	5000	5006	4850	2049	100	4854	1400	4510x340x460	110	123
<b>2,40</b>	2000	833	<b>85</b>	2368	2394	2220	933	50	2242	1400	2010x340x460	61	71
	2500	1042	<b>107</b>	2889	2910	2740	1142	50	2758	1400	2510x340x460	71	81
	3000	1250	<b>128</b>	3420	3427	3260	1350	50	3275	1400	3010x340x460	79	90
	3500	1458	<b>149</b>	3937	3956	3800	1558	50	3804	1400	3510x340x460	87	99
	4000	1667	<b>171</b>	4466	4480	4330	1817	100	4328	1400	4010x340x460	93	106
	4500	1875	<b>192</b>	4997	5006	4850	2025	100	4854	1400	4510x340x460	110	123



In certain circumstances, due to the surface's height, it is necessary to use a case with the rolling tube of 120 mm.