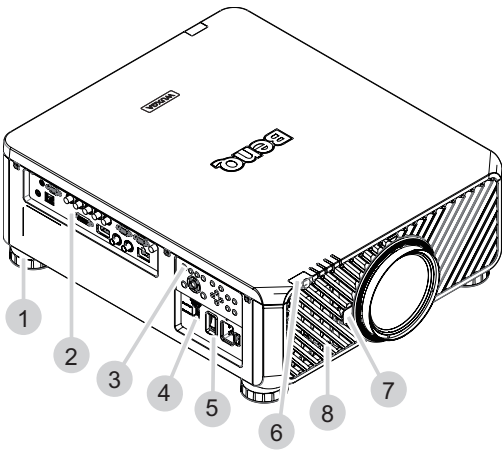


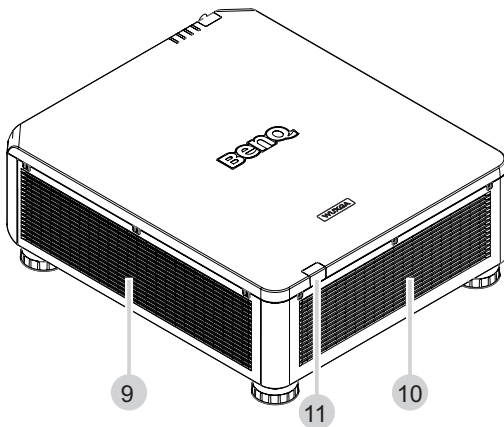
Projector exterior view

Front and upper side view



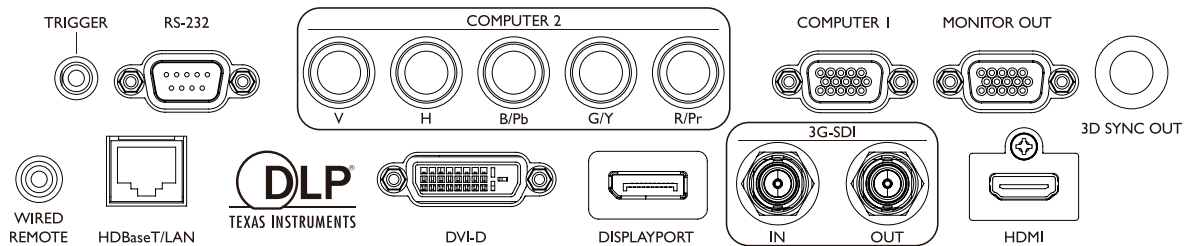
1. Foot for adjusting projector level
2. IO panel
3. Control panel
4. Slide switch (voltage selection)
5. AC power switch
6. Front IR sensor
7. Lens release button
8. Air intake

Rear and upper side view



9. Air intake
10. Air exhaust
11. Rear IR sensor

IO panel

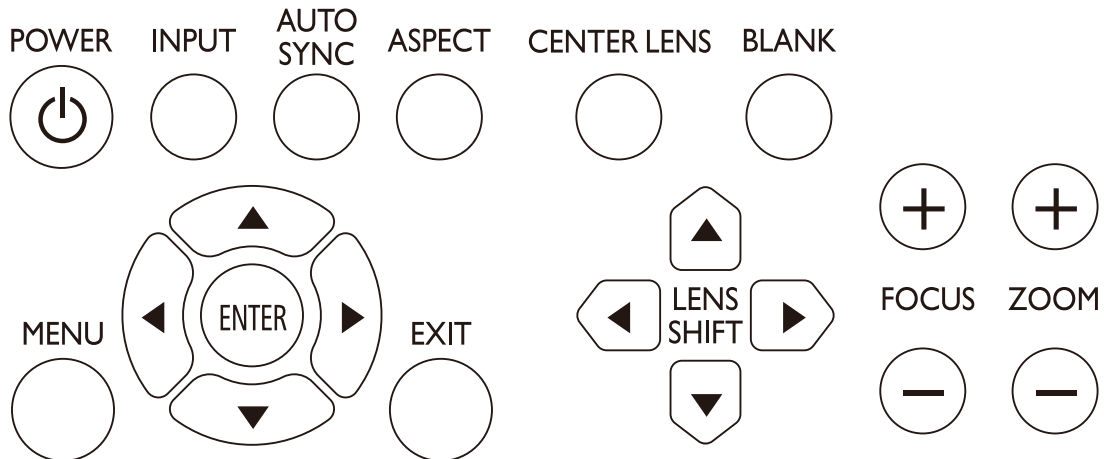


- **HDBaseT/LAN**
For connection to RJ45 Cat5/Cat6 Ethernet cable to input uncompressed high-definition video (HD), control signals.
- **3D Sync Out**
Connection to 3D IR sync signal transmitter.
- **DVI-D**
Connection to DVI-D source.
- **HDMI**
Connection to HDMI source.
- **DisplayPort**
Connection to device or PC featuring DisplayPort.
- **3G-SDI**
Connection to 3G-SDI source.
- **Computer 1**
15-pin VGA port for connection to RGB, component HD source, or PC.
- **Computer 2 (V, H, B/Pb, G/Y, R/Pr)**
Connection to RGB or YPbPr/YCbCr output signal with BNC type input terminal.
- **Monitor Out**
Connection to other display equipment for concurrent playback display.
- **RS-232**
Standard 9-pin D-sub interface for connection to PC control system and projector maintenance.
- **TRIGGER**
3.5mm mini earphone jack, employs 350mA display relay to provide 12(+/-1.5)V output and short circuit protection.
- **Wired Remote**
Connection to input Niles or Xantech compatible IR repeater system.

Caution

Make sure the port is valid before inserting a wired remote controller. The remote controller may be damaged in case of an invalid port, e.g. a wired remote controller is connected to trigger output.

Control panel and functions



- **POWER**
Press to power on/off your projector.
- **INPUT**
Press to select video sources including HDMI, DVI-D, Computer 1, Computer 2, DisplayPort and HDBaseT.
- **AUTO SYNC**
Press to execute auto signal sync.
- **ASPECT**
Press to switch aspect ratio of current image.
- **MENU**
Press to display OSD menu or return to the upper menu level.
- **ENTER**
Press to select, accept or change settings.
- **EXIT**
Press to exit OSD menu.
- **CENTER LENS**
Press to center the lens and reset its shift, focus and zoom parameters.

Note

The lens memory requires precise lens parameter adjustments. Please re-run the Center Lens function once you install the lens.

- **BLANK**
Press the button to temporarily interrupt the projection.
- **LENS SHIFT**
Press to move lens up, down, left and right.
- **FOCUS**
Press to adjust focus of projection image.
- **ZOOM**
Press to zoom in and out on projection image. Remote control and functions.