

OnSuperior Tensio FTS is the screen born to meet the needs to install screens on very high walls or ceilings and to enable the projection light to be lowered to suit the spectator correctly.

The newly designed casing is suitable for on-wall or on-ceiling installation, features the new tensioning system with double lower bar and patented FTS™ Floating Tensio System

OnSuperior is available with a viewing area base up to 4500 mm and can also be supplied in a tensioned version without black borders.

See page **61**
for Technical data



FTS™ Floating Tensio System

Tensioning system consisting of a double lower bar and tensioning cables. Lower bar consist of two weights, one of which is responsible for the vertical force of the material and the other associated with the tensioning cable system is responsible for the flatness of the material horizontally.

Create your own screen with the PSS

- > **Personalized dimensions:** width and height
- > **Roller type:** motorized standard or radio integrated
- > **Case:** available only with case
- > **Case color:** available in white, black or custom color
- > **Height of Top:** from 5 to 140 cm
- > **Projection surface fall:** back fall only – reverse roll available
- > **Side of command/motor:** right or left

Projection Surfaces (see page 6)

- > ReferenceWhite / ReferenceGrey
- > HeliosWhite / HeliosGrey
- > VisionWhite / VisionWhitePro
- > VisionAcoustik
- > VisionRear DB and VisionRear, only without black borders

Surfaces Fireproof Certifications



Standard Accessories

- > Kit with wall or ceiling mount brackets
- > Unipolar selector switch
- > Remote control (only for radio-integrated version)

Optional Accessories

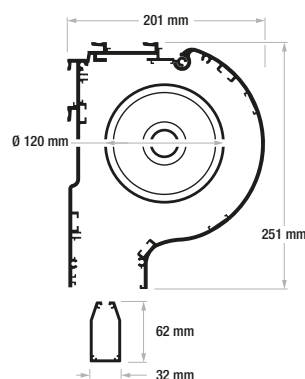
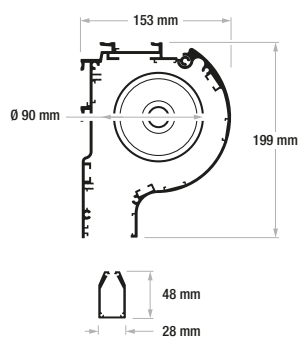
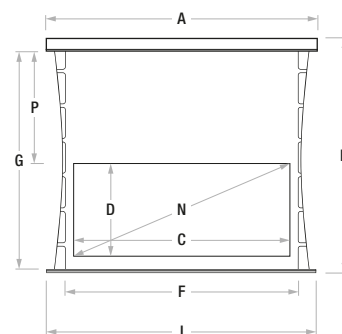
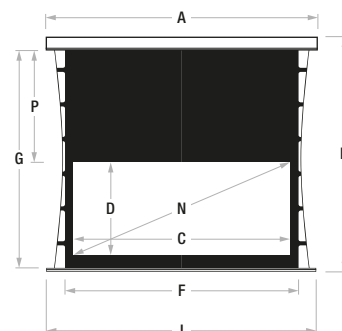
- > Receiver and RF remote control for motorized screen
- > Receiver and infrared remote control
- > Extension brackets for screens up to 60 cm

PSS Formats

1.33:1	1.60:1	1.78:1	2.35:1	2.37:1	2.40:1
4:3	16:10	16:9	21:9		

OnSuperior Floating Tensio System 5 cm borders

Aspect Ratio	Viewing Width	Viewing Height	Diagonal Inches	Overall Width	Overall Height	Surface Width	Surface Height	Standard Drop	Lower Bar Length	Total Maximum Drop	Packaging Dimensions	Net Weight	Gross Weight
	C	D	N	A	B	F	G	P	I	mm	mm	kg	kg
1,33 (4:3)	2000	1504	99	2322	1901	2280	1604	50	2302	1400	2440x340x460	61	71
	2500	1880	123	2882	2277	2830	1980	50	2851	1400	2989x340x460	71	81
	3000	2256	148	3463	2653	3400	2356	50	3406	1400	3544x340x460	79	90
	3500	2632	172	4009	3197	3960	2782	100	3962	1350	4100x340x460	87	99
	4000	3008	197	4600	3573	4540	3158	100	4535	1200	4673x340x460	93	106
1,60 (16:10)	2000	1250	93	2292	1647	2260	1350	50	2275	1400	2413x340x460	61	71
	2500	1563	116	2831	1960	2790	1663	50	2809	1400	3485x340x460	71	81
	3000	1875	139	3390	2272	3330	1975	50	3347	1400	3485x340x460	79	90
	3500	2188	162	3924	2653	2890	2288	100	3890	1350	4028x340x460	87	99
	4000	2500	186	4489	3065	4440	2650	100	4441	1350	4579x340x460	93	106
1,78 (16:9)	2000	1124	90	2276	1521	2240	1224	50	2264	1400	2402x340x460	61	71
	2500	1404	113	2808	1801	2770	1504	50	2791	1400	2929x340x460	71	81
	3000	1685	135	3358	2082	3310	1785	50	3321	1400	3459x340x460	79	90
	3500	1966	158	3886	2431	3860	2066	100	3859	1350	3997x340x460	87	99
	4000	2247	181	4400	2812	4400	2397	100	4401	1350	4539x340x460	93	106
4500	2528	203	4995	3093	4950	2678	100	4946	100	5084x340x460	110	123	
2,35 (21:9)	2000	851	86	2246	1248	2220	951	50	2242	1400	2380x340x460	61	71
	2500	1064	107	2766	1461	2740	1164	50	2758	1400	2896x340x460	71	81
	3000	1277	128	3298	1674	3260	1377	50	3275	1400	3413x340x460	79	90
	3500	1489	150	3815	1954	3800	1589	100	3803	1350	3941x340x460	87	99
	4000	1702	171	4350	2267	4330	1852	100	4328	1350	4466x340x460	93	106
4500	1915	193	4883	2480	4850	2065	100	4854	1350	4992x340x460	110	123	
2,37	2000	844	85	2245	1191	2220	944	50	2242	1400	2010x340x460	61	71
	2500	1055	107	2765	1402	2740	1155	50	2758	1400	2510x340x460	71	81
	3000	1266	128	3296	1613	3260	1366	50	3275	1400	3010x340x460	79	90
	3500	1477	150	3814	1892	3800	1577	50	3803	1350	3510x340x460	87	99
	4000	1688	171	4348	2153	4330	1838	100	4328	1350	4010x340x460	93	106
4500	1899	192	4880	2364	4850	2049	100	4854	1350	4510x340x460	110	123	
2,4	2000	833	85	2244	1180	2220	933	50	2242	1400	2010x340x460	61	71
	2500	1042	107	2763	1389	2740	1142	50	2758	1400	2510x340x460	71	81
	3000	1250	128	3294	1597	3260	1350	50	3275	1400	3010x340x460	79	90
	3500	1458	149	3811	1873	3800	1558	50	3803	1350	3510x340x460	87	99
	4000	1667	171	4344	2132	4330	1817	100	4328	1350	4010x340x460	93	106
4500	1875	192	4876	2340	4850	2025	100	4854	1350	4510x340x460	110	123	



In certain circumstances, due to the surface's height, it is necessary to use a case with the rolling tube of 120 mm.