



FEATURES

- Universal for all key projectors with multiple fixing points
- Distance from ceiling to projector 650 mm to 1100 mm
- Internal cable management in pole
- Professional micro adjustment ensures precise installation
- 360° full horizontal adjustment
- New Micro-Adjustment Mechanism

PRODUCT SPECIFICATION

	Weight	Max capacity	Extension	Colour	Packaging dimensions
PM8	4,5 kg	20 kg	740-1100 mm	black silver white	670x240x80 mm
PM8.1	4,0 kg	20 kg	540-740 mm	black silver white	670x240x80 mm
PM8.2	6 kg	20 kg	1100-1900 mm	black silver white	670x240x80 mm
PM8.3	3 kg	20 kg	270 mm	black silver white	670x240x80 mm

TECHNICAL



0°/90°



+7,5°/-7,5°



20 kg



270-1900 mm

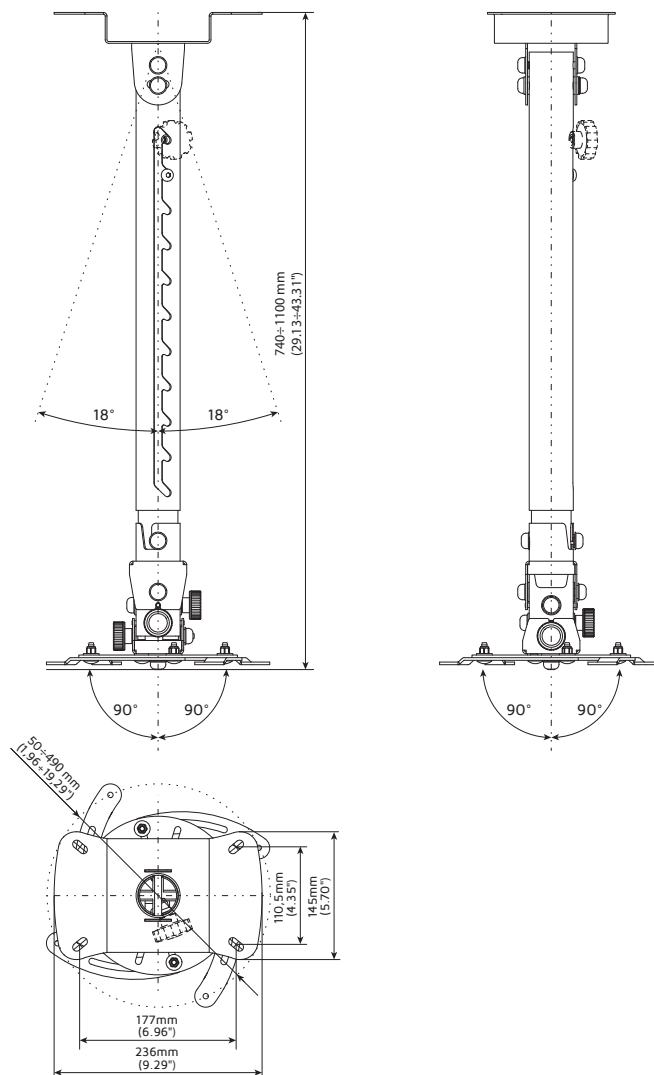


PRODUCT SPECIFICATION

	Weight	Max capacity	Extension	Colour	Packaging dimensions
PM8	4,5 kg	20 kg	740-1100 mm	black silver white	670x240x80 mm
PM8.1	4,0 kg	20 kg	540-740 mm	black silver white	670x240x80 mm
PM8.2	6 kg	20 kg	1100-1900 mm	black silver white	670x240x80 mm
PM8.3	3 kg	20 kg	270 mm	black silver white	670x240x80 mm

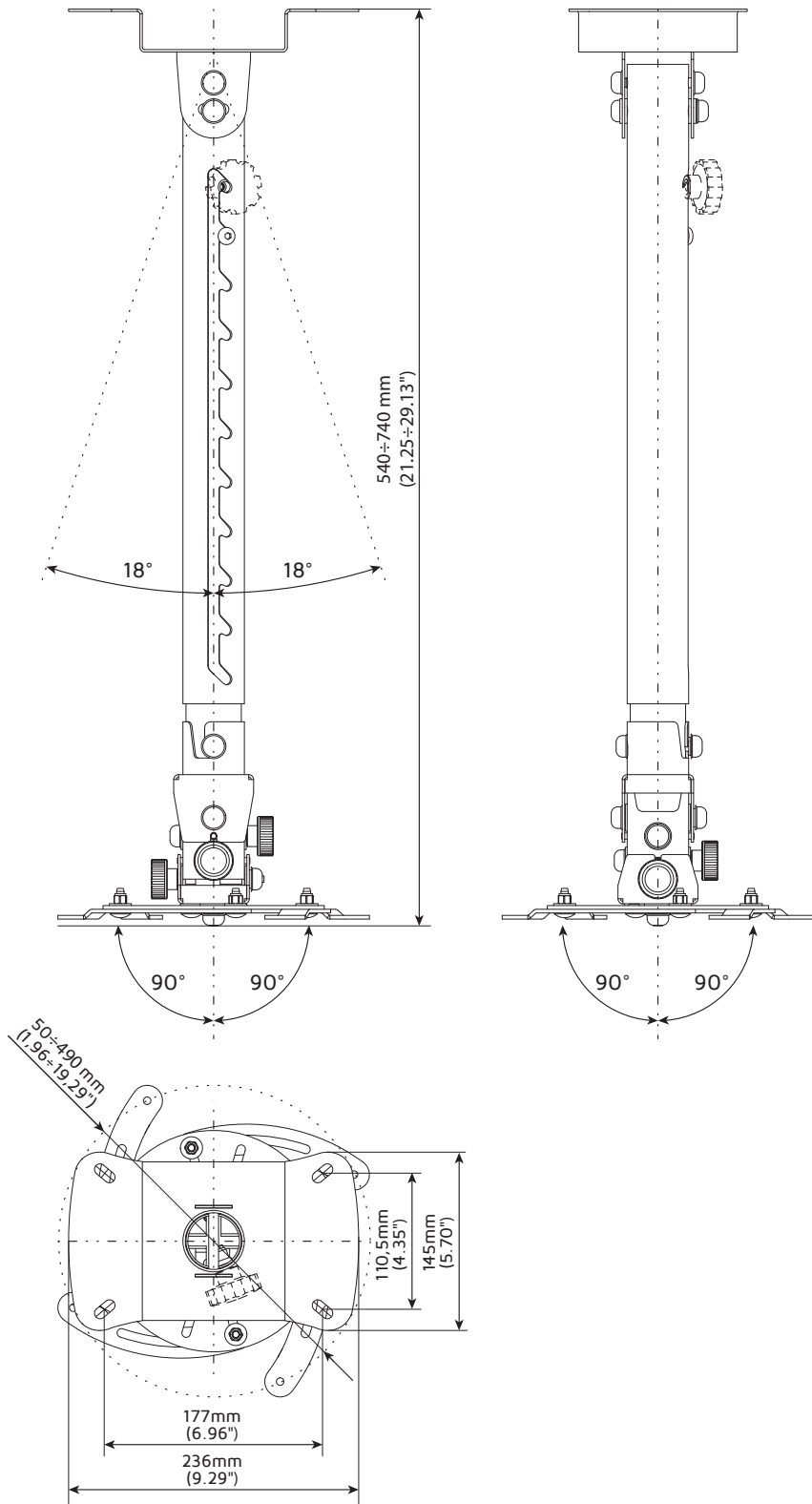
TECHNICAL DRAWINGS

PM8



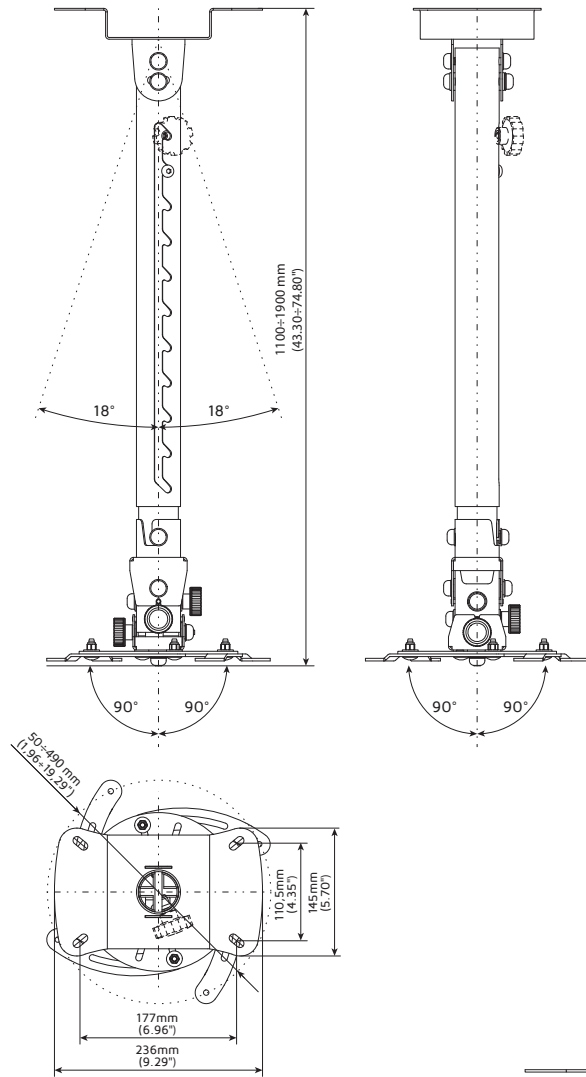


PM8.1





PM8.2



PM8.3

