



AWP06

SpringFit™ waterproof ceiling speaker 8Ω and 100V

Highlights:

- IP65 Ingress protection
- Aluminum grill
- Multi-tapping 100V line transformer
- 4" dual cone driver
- Spring-clamp mounting mechanism
- plastic enclosure

The AWP06 is a waterproof ceiling speaker with a power of 6 Watt which meets the IP65 standard. It is designed to be used in a wide variation of in- and outdoor applications and damp locations and features a 4" loudspeaker. Due to its wide smooth frequency response and high efficiency, it ensures high-fidelity music reproduction and intelligible speech at very low distortion. It can be used in 8 Ohm low impedance systems or in 100V PA systems with power taps for 6 Watt, 3 Watt and 1.5 Watt.

Applications:

- Sport facilities
- Bathrooms
- Swimming pool areas
- Terraces
- Spas



Certification:



Impedance:



Voltage:



System specifications:

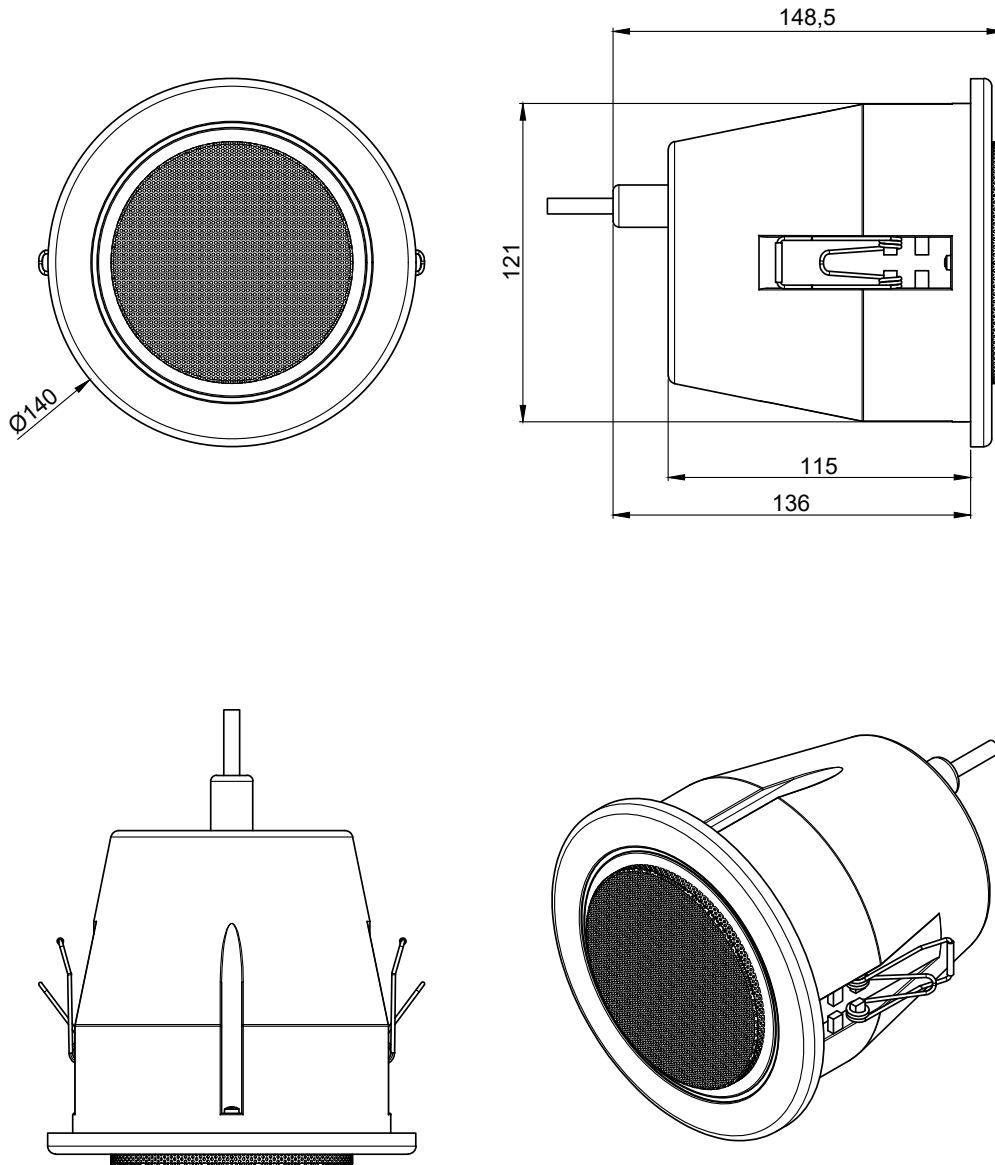
Max. Power		10 W
RMS Power		6 W
Frequency	Response (± 3 dB)	100 Hz - 15 kHz
Sound Pressure (Max. W/1m)		95 dB
Line Transformer Tappings	1	6 W / 1666 Ω
	2	3 W / 3333 Ω
	3	1.5 W / 6666 Ω
Impedance		8 Ω
Ingress Protection rating		IP65
Drivers		4"

Product Features:

Dimensions		140 x 148.5 mm (\emptyset x H)
Built-in depth		148.5 mm
Cut-out measurement		125 mm (\emptyset)
Weight		0.79 kg
Operating temperature		-20 $^{\circ}$ C ~ 60 $^{\circ}$ C
Construction		ABS
Colours		White (RAL9010)

Variants:

- AWP06/W - White version



AWP06

Product description:

WATERPROOF CEILING SPEAKER 6W/100V & 8OHM - IP65

Weight:

0,79 kg

Outer dimensions:
(w x h x d)

$\varnothing 140$ x 148,5

Unit height:

N/A