



# CSF506

## Ceiling speaker with fire dome 100V

### Highlights:

---

- Multi-tapping 100V line transformer
- 5" full range driver
- Steel front grill with flame retardant materials
- Steel fire protection dome

The CSF506/W is a fire-protected ceiling speaker with a 5" cone, capable of producing a power of 6 Watt. It ensures a good reproduction of speech and background music. It is fitted with a 100V line transformer with power taps for 6 Watt and 3 Watt to be used in large 100V PA systems. The speaker is equipped with a special steel fire protection dome fitted around the speaker and a steel front grill with flame-retardant materials. This provides fire protection according to the EN60849 standard. The MK2 version is painted in RAL9016, to harmonize the AUDAC ceiling speaker range we decided to bring out the CSF506/W variant in RAL9010.

### Applications:

---

- Bars, restaurants
- Retail
- Hotels
- Public facilities
- Corporate spaces



### Voltage:

---



## System specifications:

---

Speaker type		Broadband
Max. Power		10 W
RMS Power		6 W
Line Transformer Tappings	1	6 W / 1666 $\Omega$
	2	3 W / 3333 $\Omega$
Impedance		8 $\Omega$
Frequency	Response ( $\pm$ 3 dB)	90 Hz - 18 kHz
Sound Pressure (Max. W/1m)		90 dB
Drivers		5"

## Product Features:

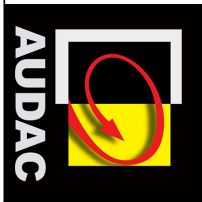
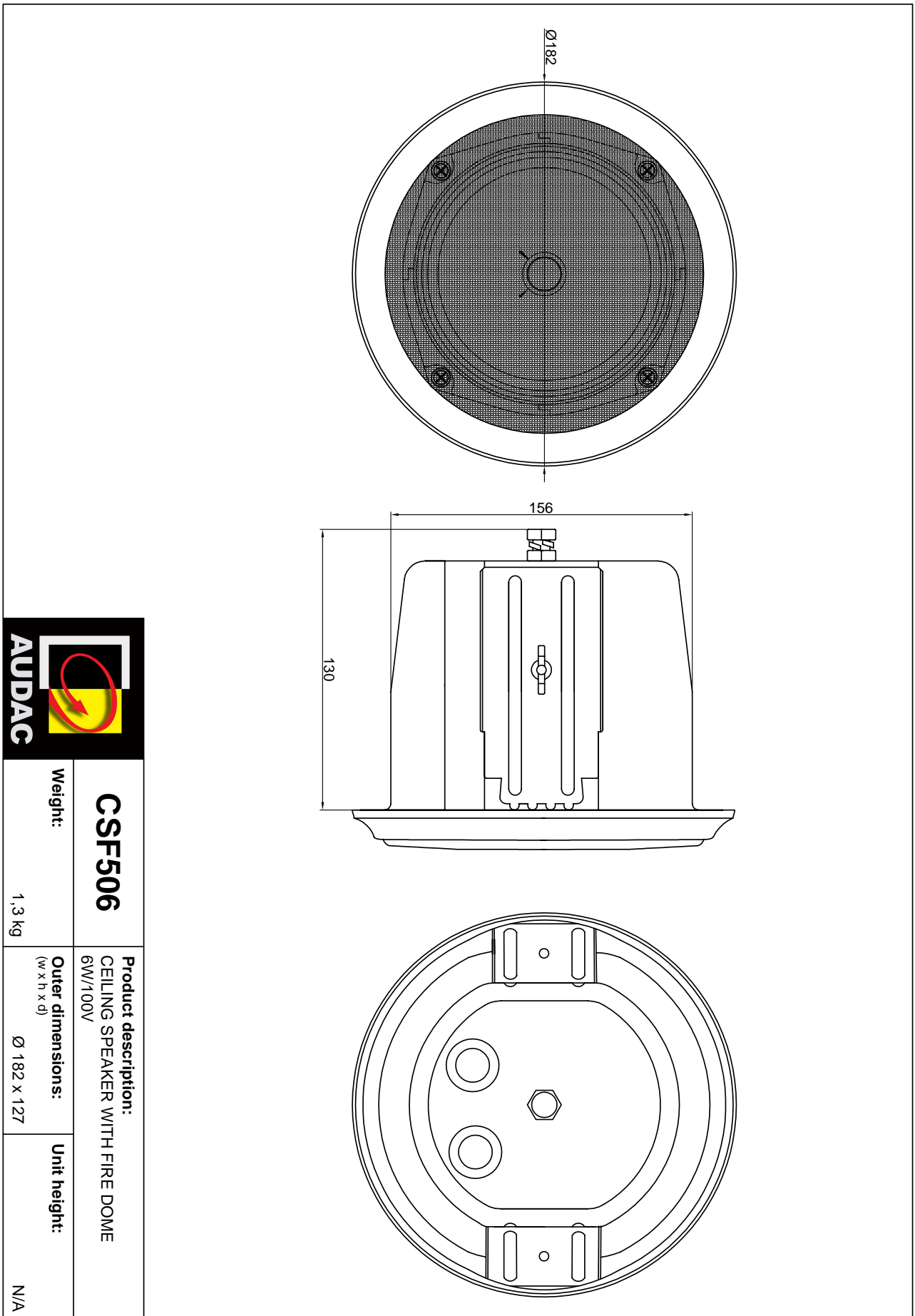
---

Dimensions		180 x 127 mm ( $\emptyset$ x D)
Cut-out measurement		160 mm ( $\emptyset$ )
Weight		1.300 kg
Construction		Steel fire protection dome
Front finish		Steel with flame retardant materials

## Variants:

---

- CSF506/W - White version - RAL9010



<p><b>CSF506</b></p>	<p><b>Product description:</b> CEILING SPEAKER WITH FIRE DOME 6W/100V</p>	<p><b>Unit height:</b> N/A</p>
<p><b>Weight:</b> 1,3 kg</p>	<p><b>Outer dimensions:</b> (w x h x d) <math>\varnothing 182 \times 127</math></p>	