



PM-KIT 3X HDL 6

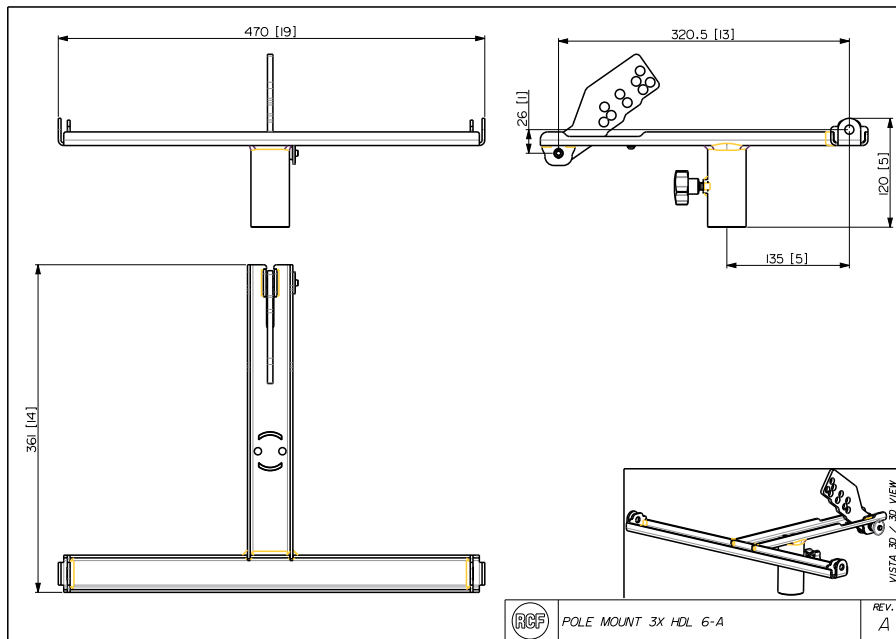
POLE MOUNT KIT



Description Pole mount kit for 3 HDL 6-A or 3 HDL 26-A or 3 HL 6. Pins included. + Stacking Bar

Standard compliance	Safety agency	CE compliant
Size	Weight	1.6 kg / 3.53 lbs
Physical specifications	Color	Black

Line Art 2D



Part Number	13360377 PM-KIT 3X HDL 6	Black	EAN 8024530014629
--------------------	--------------------------	-------	-------------------

Technical Specifications

Products are continually improved. All specifications are therefore subject to change without notice.