



HL 6

TWO-WAY LINE ARRAY MODULE



Description The RCF HL 6 is an ultra-compact passive two-way full-range system for small and medium-sized spaces. The 1.75" neodymium compression driver with a constant-directivity waveguide design generates a horizontal constant-directivity coverage of 100 degrees over the entire vocal range with remarkable clarity. Two high-power 6" woofers deliver extended low-end up to 131 dB SPL for a wide range of applications, both alone, or in line-array configuration.

- Features**
- › 1000W Peak Power Handling
 - › 131 dB Max SPL
 - › 65 ÷ 20000 Hz Frequency Range
 - › 100° x 10° Coverage Angles
 - › 1.75" Neodymium Compression Driver
 - › 2 x 6" High-Powered Neodymium Woofers
 - › Constant Directivity Waveguide
 - › Extremely Low Weight

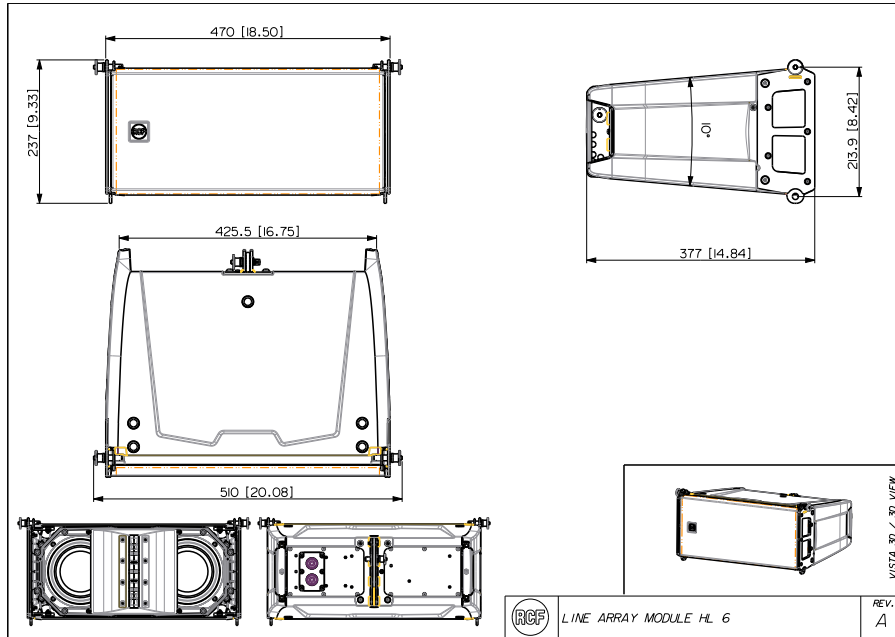
Part Number	13000726 HL 6	16ohm	Black - RAL 9005	EAN 8024530019068
	13000944 HL 6 W	16ohm	White - RAL 9003	



HL 6

TWO-WAY LINE ARRAY MODULE

Line Art 2D



TECHNICAL SPECIFICATIONS

Acoustical specifications

Frequency Response (-10dB)	65 Hz ÷ 20000 Hz
Max SPL @ 1m	131 dB
Horizontal coverage angle	100°
Vertical coverage angle	10°
Directivity index Q	16

Power section

Amplification	Full Range
Nominal Impedance	16 ohm
Power Handling	250 W
Peak Power Handling	1000 W PEAK
Protections	Dynamic Active Mosfet
Crossover Frequencies	900 Hz
Recommended Amplifiers	XPS 16K, XPS 16KD, QPS 10K, QPS 6.0K, IPS 5.0K, IPS 2.5K

Transducers

Compression Driver	1 x 1.0" neo, 1.75" v.c
Woofer	2 x 6.0" neo, 2.0" v.c

Input/Output section

Input connectors	Speakon
Output connectors	Speakon

Standard compliance

Safety agency	CE compliant
---------------	--------------

Physical specifications

Cabinet/Case Material	PP Composite	
Hardware	Integrated array mechanics	
Handles	2 on the rear panel	
Grille	Steel	
Color	Black - RAL 9005, White - RAL 9003	
Size / Weight	Height	237 mm / 9.33 inches
	Width	470 mm / 18.5 inches
	Depth	377 mm / 14.84 inches
	Weight	11.8 kg / 26.01 lbs

ACCESSORIES

Rigging / Mounting

AZIMUT BRACKETS		
13360351 AZM-BR 2X	Black	EAN 8024530013516



HL 6

TWO-WAY LINE ARRAY MODULE

Rigging / Mounting

CLUMP BRACKETS

13360371 CL-BR HDL 6

EAN 8024530014360

FLY BARS

13360360 FL-B HDL 6

Black

EAN 8024530014209

FLY BARS PICKUP

13360372 FL-B PK HDL 6

Black

EAN 8024530014353

13360696 FLB60696

Black

EAN 8024530023027

LINK BARS

13360375 FL-B LINK HDL 6-12 2X

Black

EAN 8024530014414

POLE MOUNT KITS

13360377 PM-KIT 3X HDL 6

Black

EAN 8024530014629

QUICK LOCK PINS

13360626 QL-PIN 008

Black

EAN 8024530020897

SUSPENSION CHAINS

13360129 HOIST SPACING CHAIN CH 001

Black

EAN 8024530020774

Transportation

KART WITH WHEELS

13360366 KRT-WH 6X HDL 6

Black

EAN 8024530014421