

MR 50

TWO-WAY PASSIVE SPEAKER

DESCRIPTION

MR 50 is a bass-reflex two-way speaker designed to deliver uncompromised audio performance and high reliability in fixed installations. Blend in with any environment and deliver deep bass, smooth midrange, and finely-detailed high-frequency response. Quality components and careful acoustic design make MR 50 the perfect speaker for listening in the most demanding applications.



FEATURES

- 60 W RMS power handling
- 110 dB max SPL
- 60 ÷ 20000 Hz frequency range
- 110° x 100° coverage angles
- 1 x 5" woofer (1" v.c.)
- 1 x 1" neodymium dome tweeter (0.8" v.c.)
- Self-extinguishing plastic cabinet
- Wall mount accessory included
- M6 inserts available for optional U bracket
- 4 pole EUROBLOCK connector (audio input and parallel link output)

TECHNICAL SPECIFICATIONS

Acoustical specifications	Frequency Response (-10dB):	60 Hz ÷ 20000 Hz
	Max SPL @ 1m:	110 dB
	Horizontal coverage angle:	110°
	Vertical coverage angle:	100°
	Directivity index Q:	7
	System Sensitivity:	87 dB
Power section	Nominal Impedance (ohm):	8 ohm
	Power Handling:	60 W RMS
	Peak Power Handling:	240 W PEAK
	Recommended Amplifier:	120 W
	Protections:	Bulb lamp
	Crossover Frequencies:	3000 Hz
Transducers	Dome Tweeter:	1.0" neo, 0.8" v.c
	Nominal Impedance (ohm):	8 ohm
	Input Power Rating:	10 W AES, 20 W PROGRAM POWER
	Sensitivity:	93 dB, 1W @ 1m
	Woofer:	5.0", 1.0" v.c
	Nominal Impedance (ohm):	8 ohm
	Input Power Rating:	60 W AES, 120 W PROGRAM POWER
Sensitivity:	87 dB, 1W @ 1m	
Input/Output section	Input connectors:	Euroblock
	Output connectors:	Euroblock
Standard compliance	CE marking:	Yes
Physical specifications	Cabinet/Case Material:	Plastic
	Hardware:	Wall mount bracket
	Grille:	Steel
	Color:	Black - RAL 9005
Size	Height:	270 mm / 10.63 inches
	Width:	187 mm / 7.36 inches
	Depth:	167 mm / 6.57 inches
	Weight:	3.8 kg / 8.38 lbs
Shipping informations	Package Height:	370 mm / 14.57 inches
	Package Width:	510 mm / 20.08 inches
	Package Depth:	250 mm / 9.84 inches
	Package Weight:	8.5 kg / 18.74 lbs



PART NUMBER

- **13100040**

MR 50 W

White - RAL 9003

EAN 8024530017293

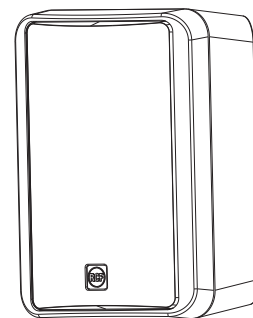
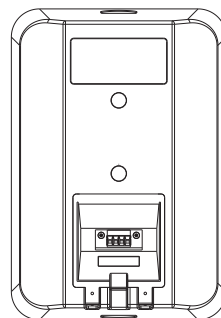
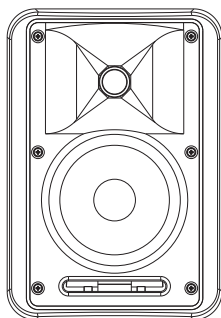
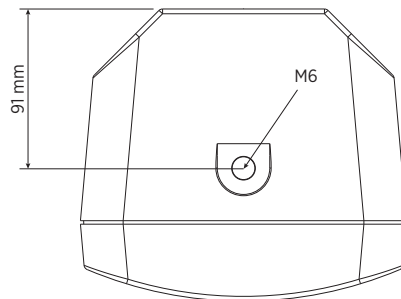
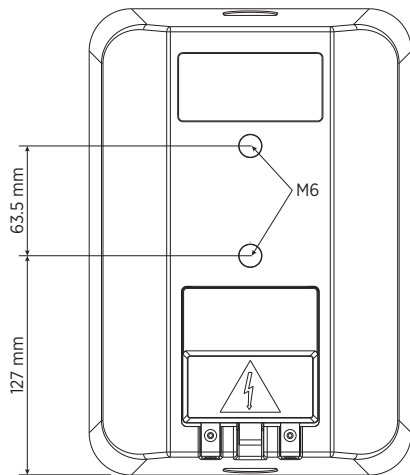
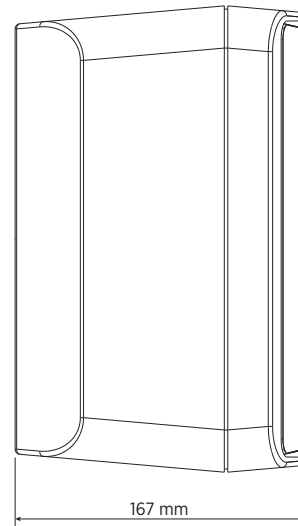
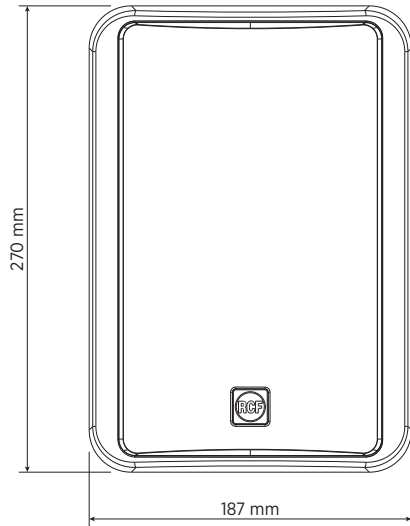
- **13100038**

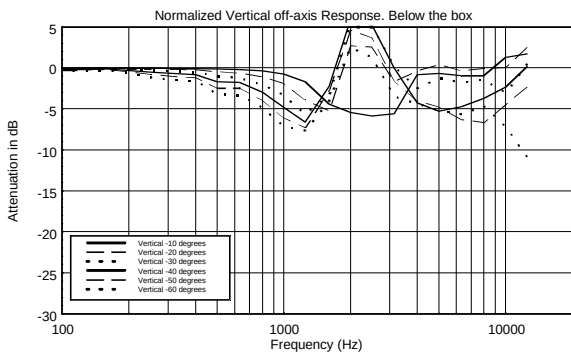
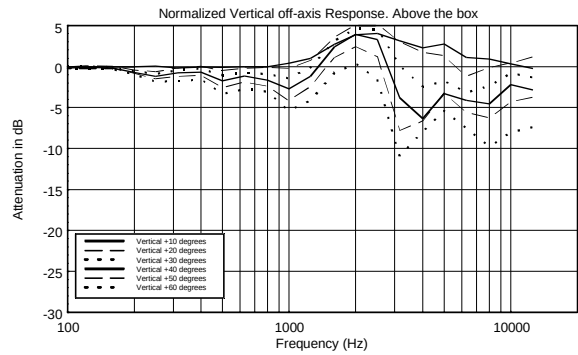
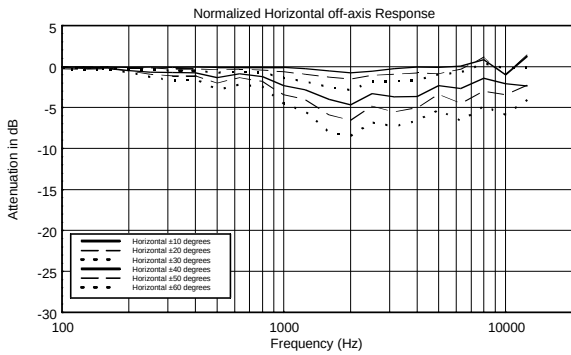
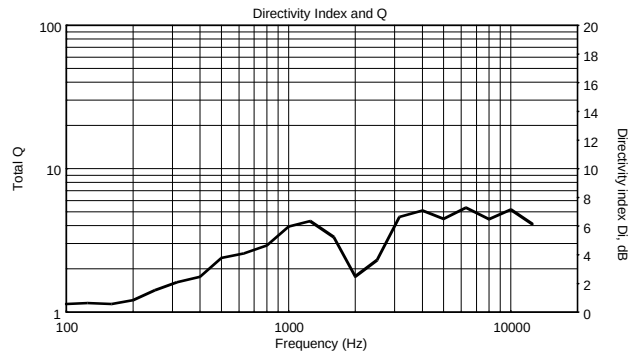
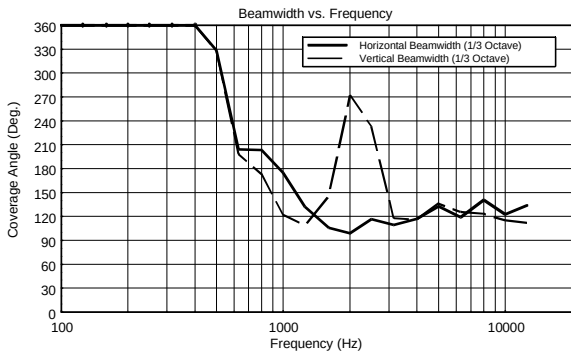
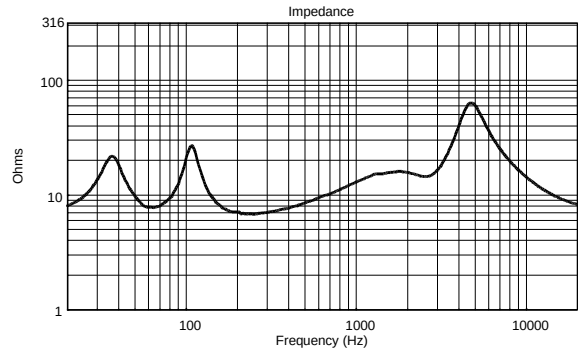
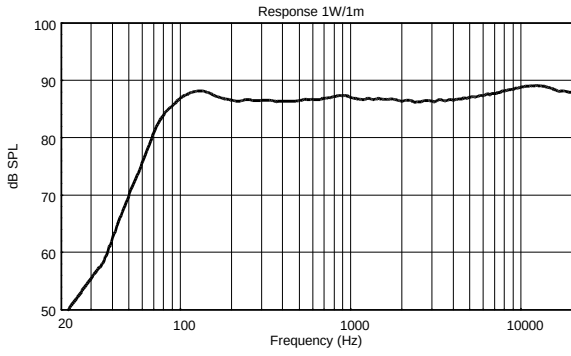
MR 50

Black - RAL 9005

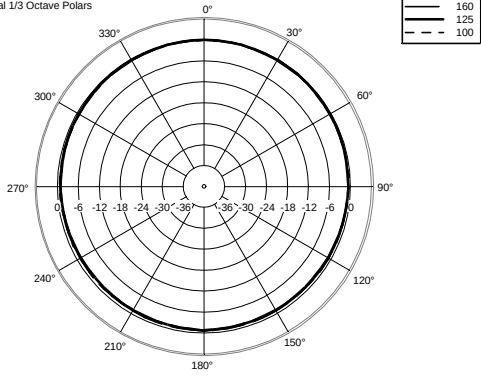
EAN 8024530017187

DRAWINGS

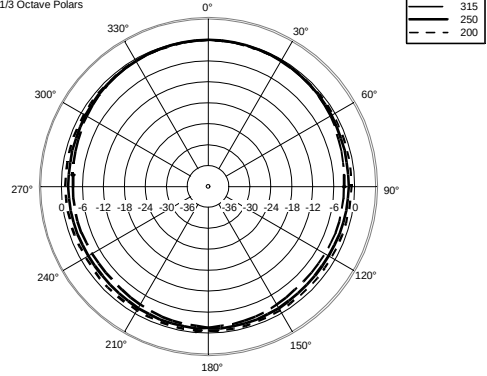




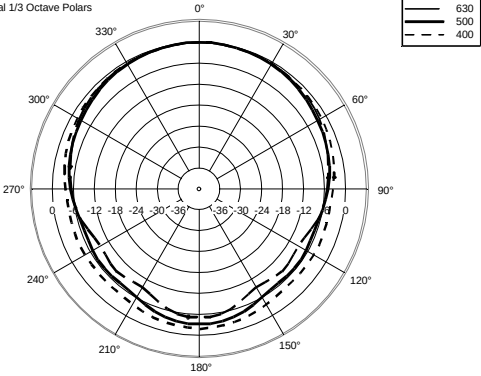
Horizontal 1/3 Octave Polars



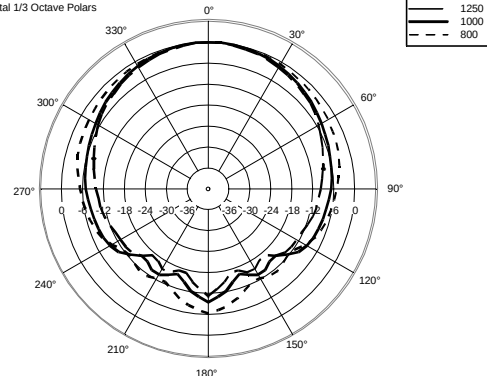
Horizontal 1/3 Octave Polars



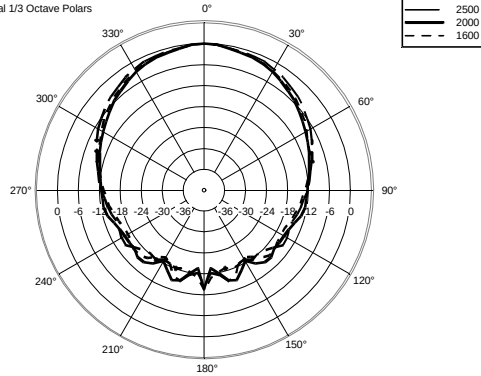
Horizontal 1/3 Octave Polars



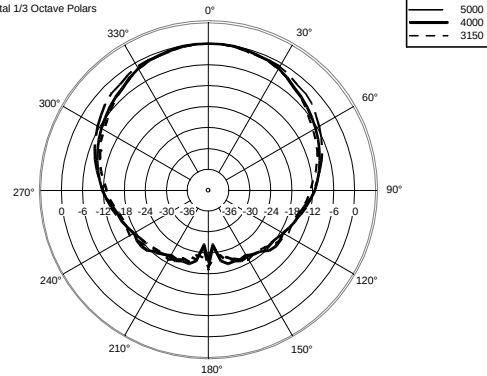
Horizontal 1/3 Octave Polars



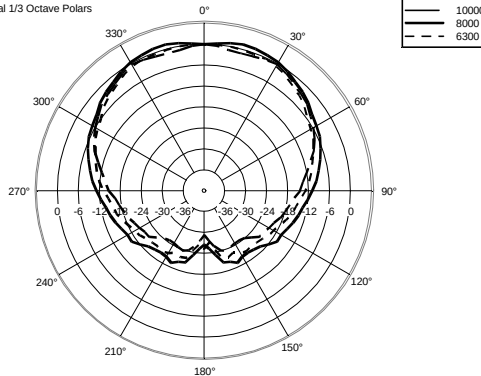
Horizontal 1/3 Octave Polars



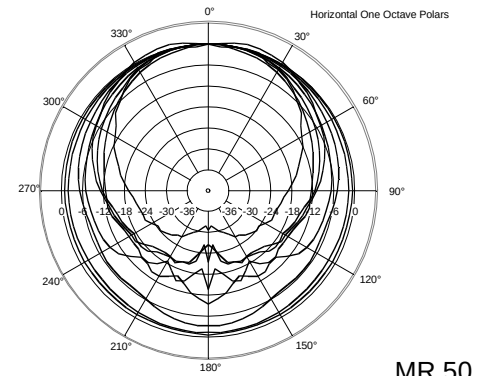
Horizontal 1/3 Octave Polars

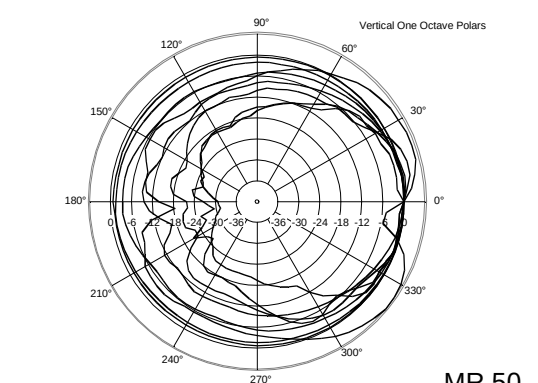
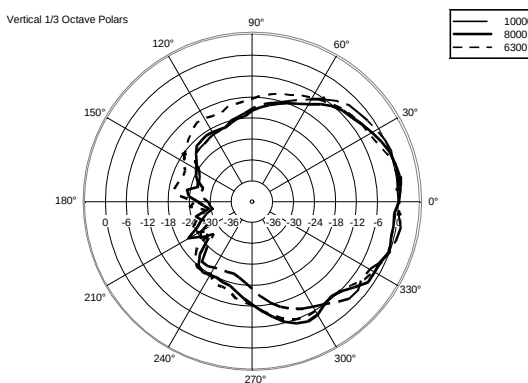
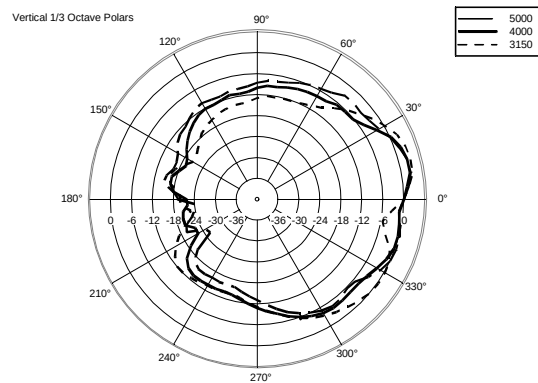
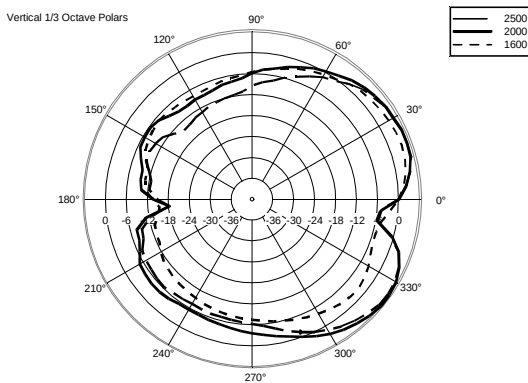
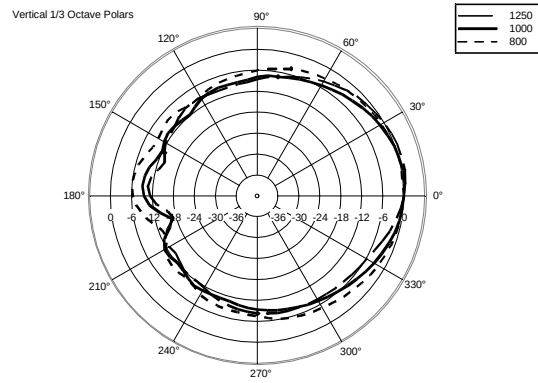
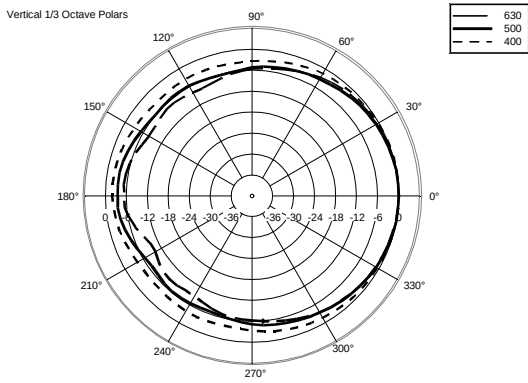
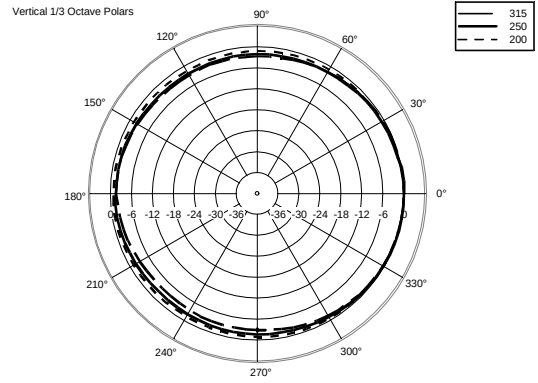
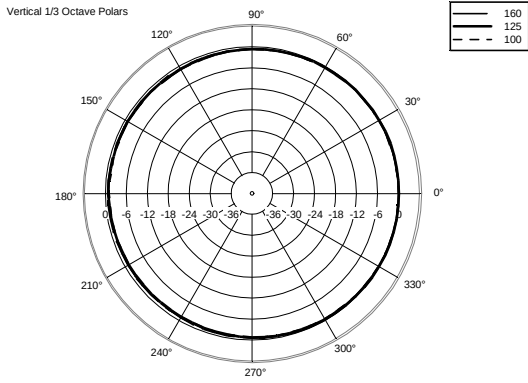


Horizontal 1/3 Octave Polars



Horizontal One Octave Polars





ACCESSORIES



MOUNTAING ACCESSORY MA 5

PART NUMBER **13360369**
EAN: 8024530014322



MOUNTAING ACCESSORY MA 5 W

PART NUMBER **13360370**
EAN: 8024530014339
