

# MR 50T

## TWO-WAY PASSIVE SPEAKER

### DESCRIPTION

MR 50T is a bass-reflex two-way speaker designed to deliver uncompromised audio performance and high reliability in fixed installations. Blend in with any environment and deliver deep bass, smooth midrange, and finely-detailed high-frequency response. Quality components and careful acoustic design make MR 50T the perfect speaker for listening in the most demanding applications.



### FEATURES

- 60 W RMS power handling
- 110 dB max SPL
- 60 ÷ 20000 Hz frequency range
- 110° x 100° coverage angles
- 1 x 5" woofer (1" v.c.)
- 1 x 1" neodymium dome tweeter (0.8" v.c.)
- Self-extinguishing plastic cabinet
- Wall mount accessory included
- M6 inserts available for optional U bracket
- 4 pole EUROBLOCK connector (audio input and parallel link output)

## TECHNICAL SPECIFICATIONS

<b>Acoustical specifications</b>	Frequency Response (-10dB):	60 Hz ÷ 20000 Hz
	Max SPL @ 1m:	110 dB
	Horizontal coverage angle:	110°
	Vertical coverage angle:	100°
	Directivity index Q:	7
	System Sensitivity:	87 dB
<b>Power section</b>	Nominal Impedance (ohm):	8 ohm
	Power Handling:	60 W RMS
	Peak Power Handling:	240 W PEAK
	Recommended Amplifier:	120 W
	Protections:	Bulb lamp
	Crossover Frequencies:	3000 Hz
<b>Transducers</b>	Dome Tweeter:	1.0" neo, 0.8" v.c
	Nominal Impedance (ohm):	8 ohm
	Input Power Rating:	10 W AES, 20 W PROGRAM POWER
	Sensitivity:	93 dB, 1W @ 1m
	Woofer:	5.0", 1.0" v.c
	Nominal Impedance (ohm):	8 ohm
	Input Power Rating:	60 W AES, 120 W PROGRAM POWER
Sensitivity:	87 dB, 1W @ 1m	
<b>Input/Output section</b>	Input connectors:	Euroblock
	Output connectors:	Euroblock
	Constant Voltage Transformer:	70/100 V
	Power selection 1:	40 W - 250 ohm
	Power selection 2:	20 W - 500 ohm
	Power selection 3:	10 W - 1000 ohm
	Power selection 4:	5 W - 2000 ohm
<b>Standard compliance</b>	CE marking:	Yes
<b>Physical specifications</b>	Cabinet/Case Material:	Plastic
	Hardware:	Wall mount bracket
	Grille:	Steel
	Color:	Black - RAL 9005
<b>Size</b>	Height:	270 mm / 10.63 inches
	Width:	187 mm / 7.36 inches
	Depth:	167 mm / 6.57 inches
	Weight:	4 kg / 8.82 lbs
<b>Shipping informations</b>	Package Height:	370 mm / 14.57 inches
	Package Width:	510 mm / 20.08 inches
	Package Depth:	250 mm / 9.84 inches
	Package Weight:	8.9 kg / 19.62 lbs



**PART NUMBER**

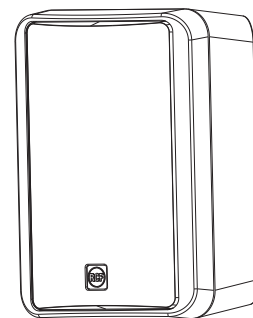
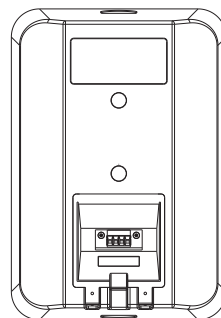
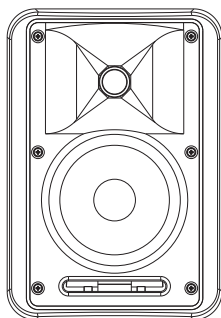
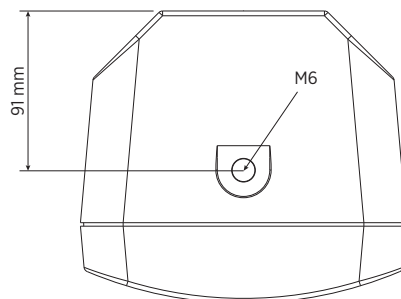
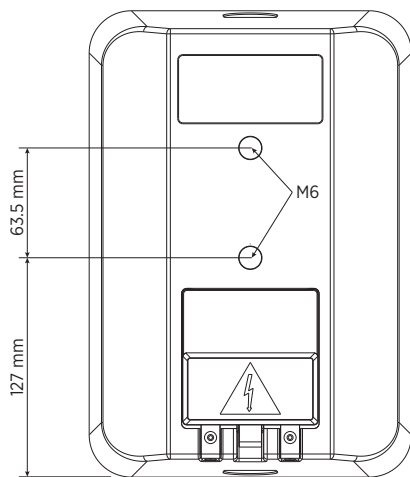
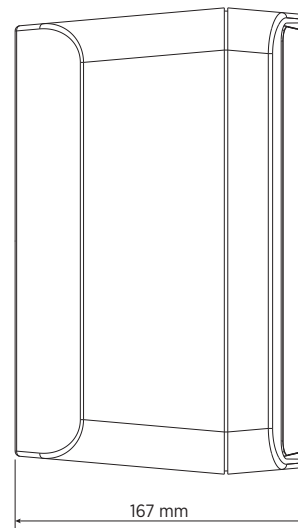
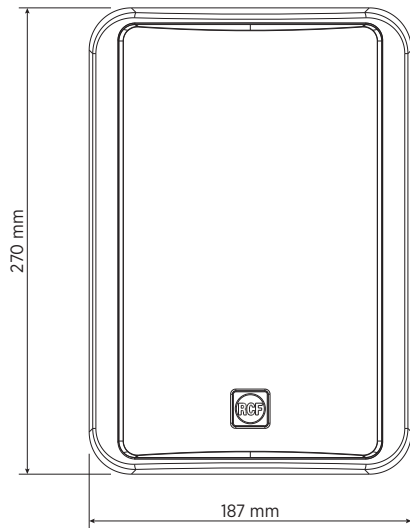
• **13100041**

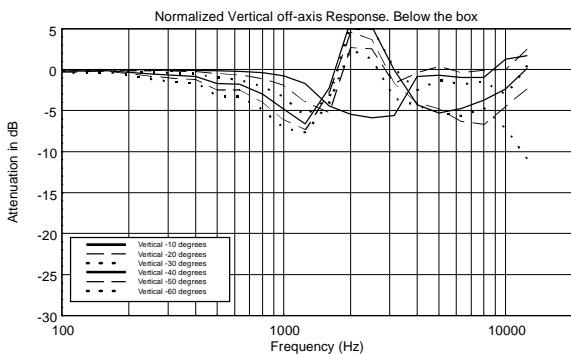
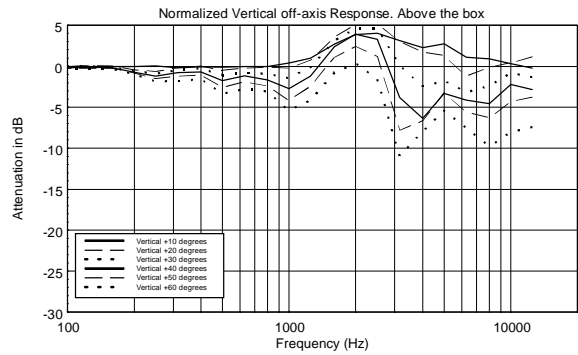
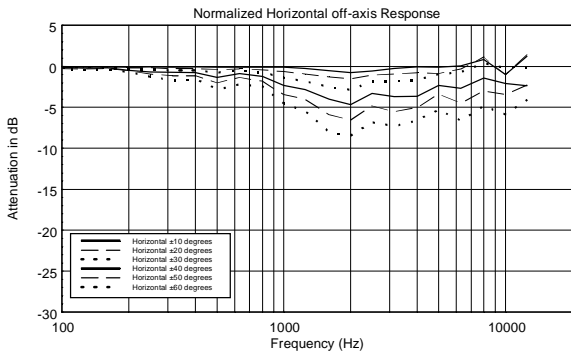
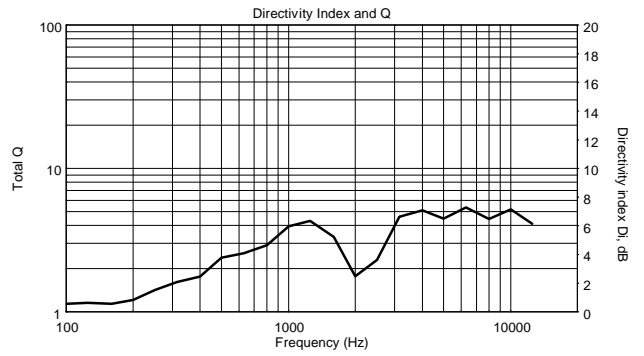
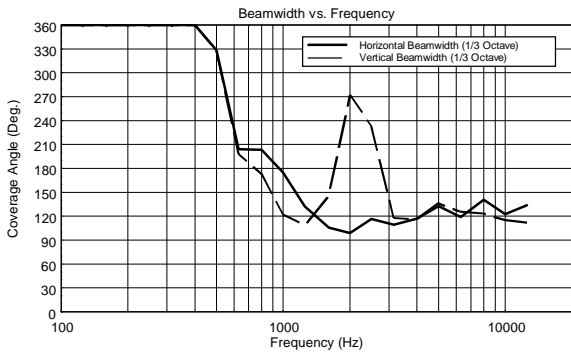
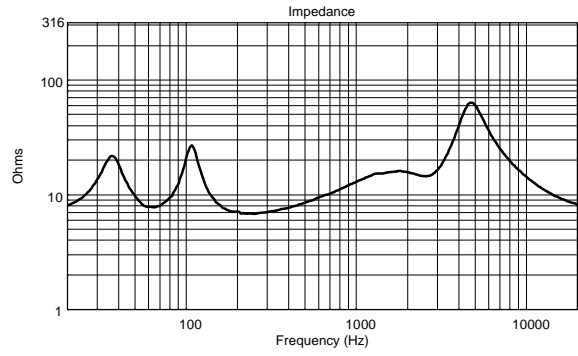
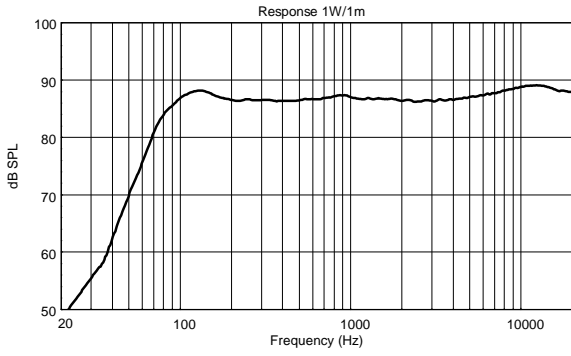
MR 50T W  
White - RAL 9003  
EAN 8024530017309

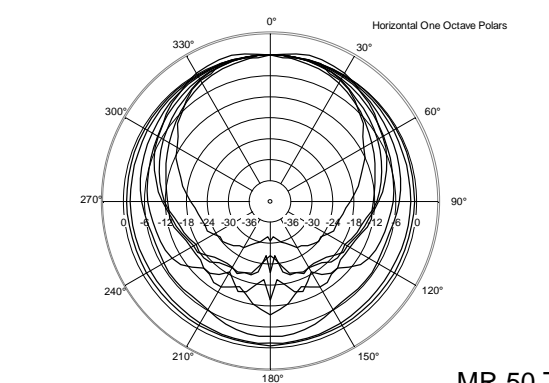
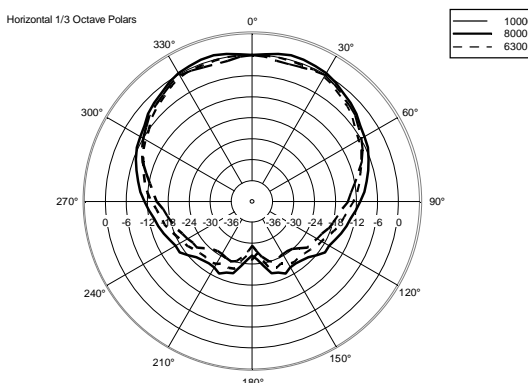
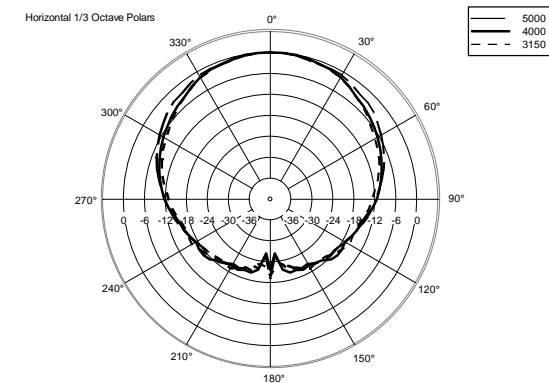
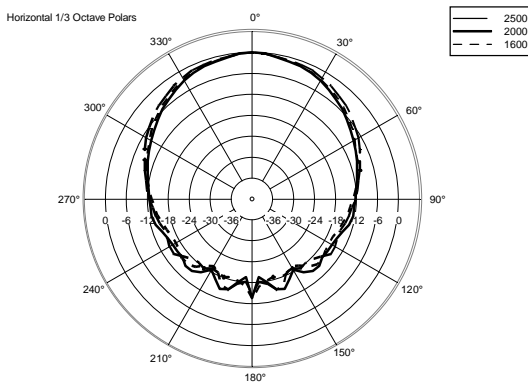
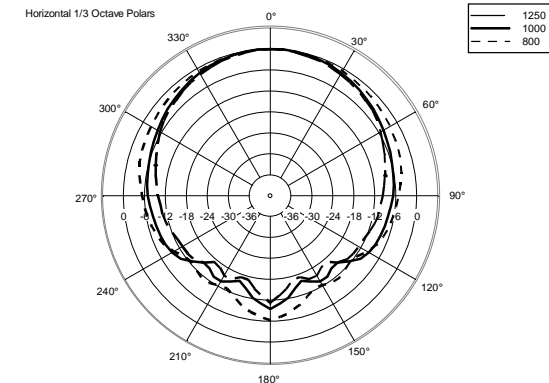
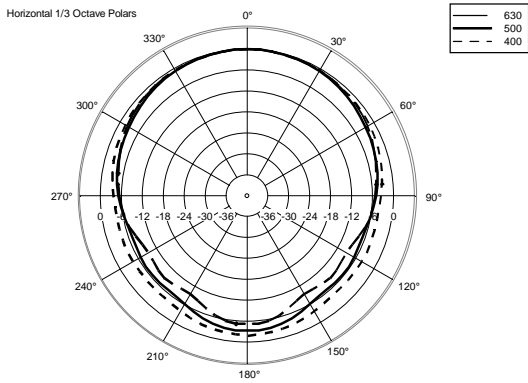
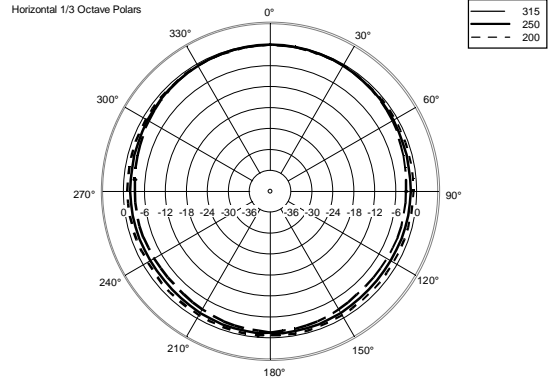
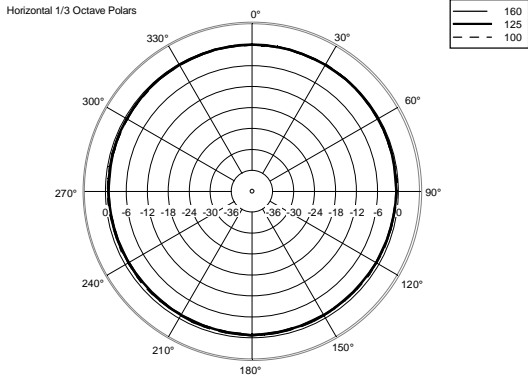
• **13100039**

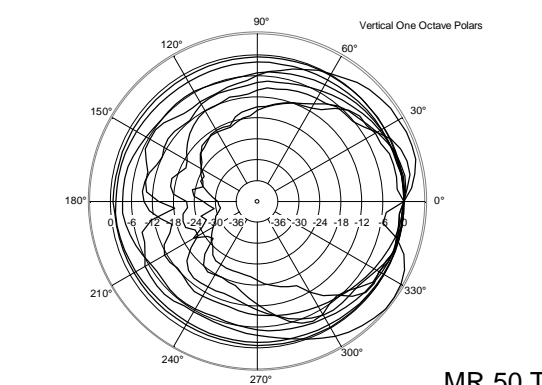
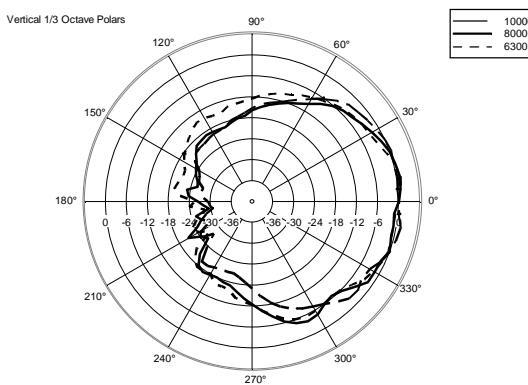
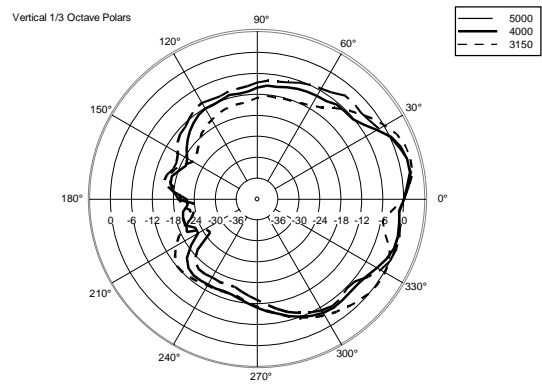
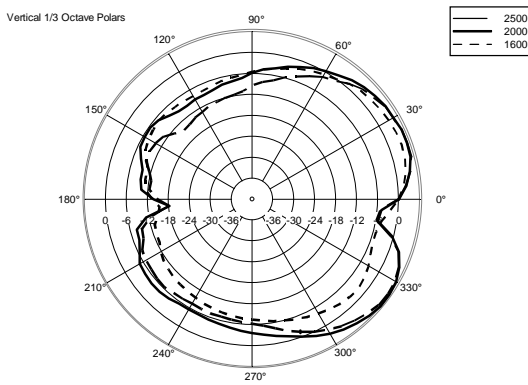
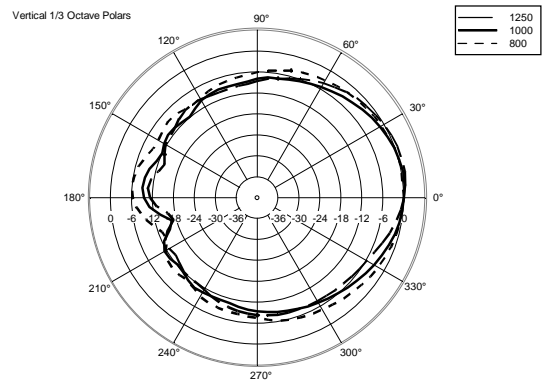
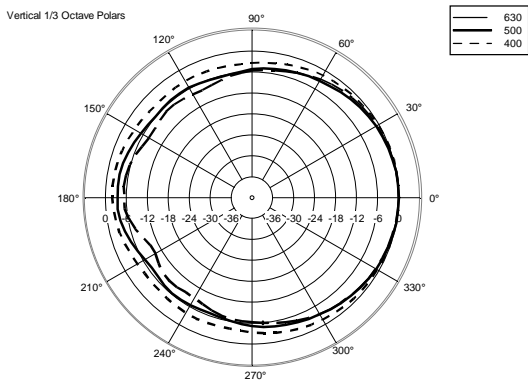
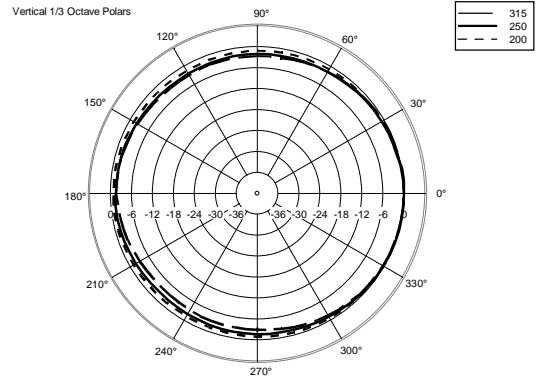
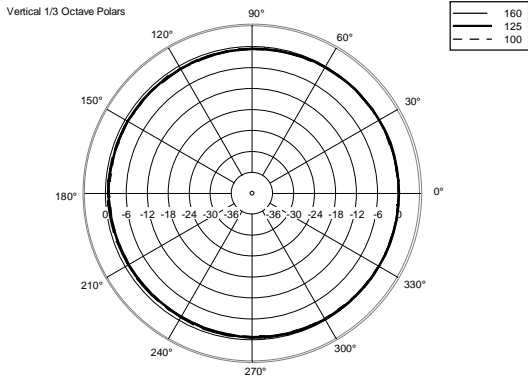
MR 50T  
Black - RAL 9005  
EAN 8024530017286

**DRAWINGS**









**ACCESSORIES**

MOUNTAING ACCESSORY MA 5

PART NUMBER **13360369**

EAN: 8024530014322



MOUNTAING ACCESSORY MA 5 W

PART NUMBER **13360370**

EAN: 8024530014339