



Product specification (design and specification subject to change without notice)

■ DISPLAY PANEL

| | |
|---------------------------------------|-----------------------------|
| Screen Size (Diagonal) | 32-inch (801 mm) |
| Panel type | IPS / Direct-LED |
| Aspect ratio | 16:9 |
| Effective Display Area (W x H) | 698 x 392 mm |
| Resolution (H x V) | 1920 x 1080 |
| Brightness | 350 cd/m ² (typ) |
| Contrast Ratio | 1400:1 (typ) |
| Response Time | 8 ms (Typ) (G to G) |
| Viewing Angle (Horizontal / Vertical) | 178° / 178° (CR ≥ 10) |
| Panel Life Time*1 | approx. 50000 hours (typ) |
| Panel Surface Treatment | Anti glare type (Haze 1%) |

*1 When the panel lifetime is at 50% of the brightness under the condition of 25 degrees Celsius (+/- 2 degrees Celsius).

■ CONNECTION TERMINAL

| | | |
|-------------|--|---|
| VIDEO IN | 4-Pole Mini Jack (M3) x 1 | 1.0 V [p-p] (75 Ω) |
| HDMI IN | HDMI Type A Connector x 2 | Linear PCM (Sampling frequency : 48 kHz/44.1 kHz/32 kHz) |
| DVI-D IN | DVI-D 24-pin x 1 | Compliance with DVI Revision 1.0 Compatible with HDCP 1.1 |
| PC IN | Mini D-Sub 15-pin x 1 (Female) | Y/G : with sync 1.0 V [p-p] (75 Ω) : without sync 0.7 V [p-p] (75 Ω) P _B /C _B /B : 0.7 V [p-p] (75 Ω) P _R /C _R /R : 0.7 V [p-p] (75 Ω) HD/VD : 1.0 - 5.0 V [p-p] (high impedance) |
| SERIAL IN | D-sub 9pin x 1, RS-232C Compatible | |
| LAN | RJ45 x 1 10BASE-T/100BASE-TX, Compatible with PLink | |
| IR IN / OUT | Mini Jack (M3) x 1 / x 1 | |
| AUDIO IN | Stereo Mini Jack (M3) x 1 (Shared with DVI-D IN and PC IN) | 0.5 V [rms] |
| AUDIO OUT | Stereo Mini Jack (M3) x 1 Variable (-∞ - 0 dB) (1 kHz 0 dB Input, 10 kΩ Load) | 0.5 V [rms] |
| USB | USB Type A connector x 1 DC 5 V/1A (USB 3.0 is not supported.) | |

■ AUDIO

| | |
|----------------------|---|
| Built in Speaker | 10 W (Full range : 80 mm x 30 mm x 2) |
| Built in Speaker OUT | 8 Ω , 20 W (10 W + 10 W) @1 kHz, @10% THD |

■ ELECTRICAL

| | |
|------------------------------------|----------------------------|
| Power Requirements | 220 - 240 V AC 50 Hz/60 Hz |
| Power Consumption | 65 W |
| On Mode Average Power Consumption* | 55 W |
| Power Off Condition | approx. 0.3 W |
| Stand-by Condition | approx. 0.5 W |
| Apparent power | 120 VA |

*Based on IEC 62087 Ed.2 measurement method

■ MECHANICAL

| | |
|-------------------------------|--|
| Dimension (W x H x D) | 727 x 426 x 64 mm |
| Weight | approx. 5.3 kg |
| Bezel Color | Black |
| Bezel Width | T/R/L: 11.9 mm, B: 17.2 mm |
| Carton Dimensions (W x H x D) | 818 x 547 x 139 mm |
| Gross Weight | approx. 8 kg |
| Cabinet Material / Color | Plastic / Black |
| Pitch for Wall-Hanging | VESA Compliant 100 x 100 mm (Installed by: M4 screws / Screw hole depth 10 mm) |

■ INSTALLATION

| | |
|---------------|--|
| Orientation | Landscape / Portrait |
| Tilting Angle | 0 - 20 degrees forward (Landscape setting) |

*Please contact your sales representative with regard to the tilt angle before installation.

■ ENVIRONMENTAL

| | | |
|-----------------------|-------------|-----------------------------------|
| Operating Environment | Temperature | : 0°C to 40°C *1 : 0°C to 35°C *2 |
| | Humidity | : 20% to 80% (No condensation) |
| | Altitude | : 0 to 2800 m |
| Storage Environment | Temperature | : -20°C to 60°C |
| | Humidity | : 20% to 80% (No condensation) |

*1 : for up to 1400 m altitude *2 : for between 1400 m and 2800 m altitude

Depending on the temperature or humidity conditions, uneven brightness may be observed. This is not a malfunction.

• This unevenness will disappear while applying current continuously. If not, consult the distributor.

MAIN FEATURE

| | |
|--|----------|
| Digital Zoom | Yes |
| Multi Display*1 | Yes |
| Power ON Screen Delay | Yes |
| 1:1 Pixel mode | Yes |
| Auto setup | Yes |
| Screen Saver | Yes |
| PC Power Management | Yes |
| DVI-D Power Management | Yes |
| HDMI Power Management | Yes |
| Input Lock | Yes |
| Button Lock | Yes |
| Remote-control User Level | Yes |
| Input Search | Yes |
| USB Media Player*2 | Yes |
| Data Cloning | Yes |
| Early Warning Software compatible | Yes |
| Multi Monitoring & Control Software compatible | Yes |
| Operating Time*3 | 16h / 7d |

*1 Multi Display Setting function cannot be used with USB Media Player.
 *2 USB input has some restrictions. Please refer to operating instructions for more information.
 *3 In case of running for a long time, the moving image is recommended to be displayed. If you display a still picture for an extended period, the image retention might remain on the screen. However, image retention can gradually disappear by displaying movie images.

OPTIONAL ACCESSORIES

| | |
|----------------|------------|
| Pedestal Stand | TY-ST32PE1 |
|----------------|------------|

STANDARD (CERTIFICATIONS)

| | |
|-----------------------|--|
| SAFETY REGULATIONS | IEC60065, EU Deviation (EN 60065:2014), BEAB approval |
| RADIATION REGULATIONS | EN55022:2010 (Class A) EN55032:2012+AC:2013 (CLASS A) EN55024:2010, EN55013, EN55020 EN61000-3-3:2013 |

REMOTE CONTROL TRANSMITTER

| | |
|------------------------|-------------------------------------|
| Power Requirements | DC 3 V (2 x AAA Size batteries) |
| Operating distance | approx. 7 m* |
| Weight | approx. 63 g including batteries |
| Dimensions (W x H x D) | 44 x 105 x 20.5 mm |

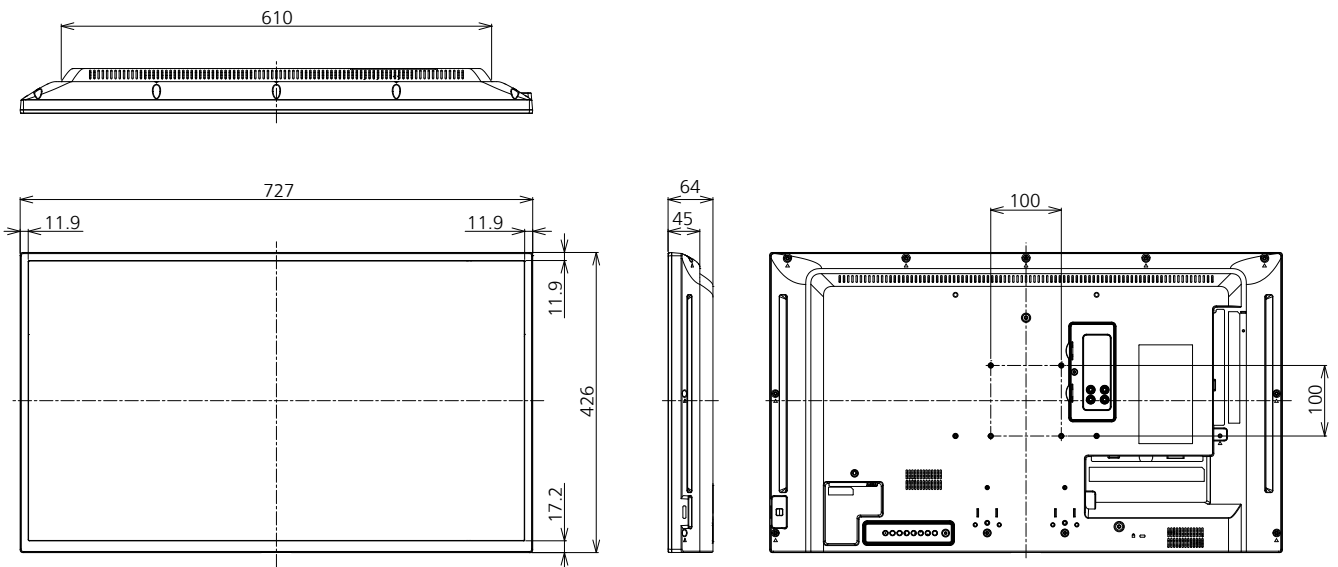
*When operated directly in front of receptor.

INCLUDED ACCESSORIES

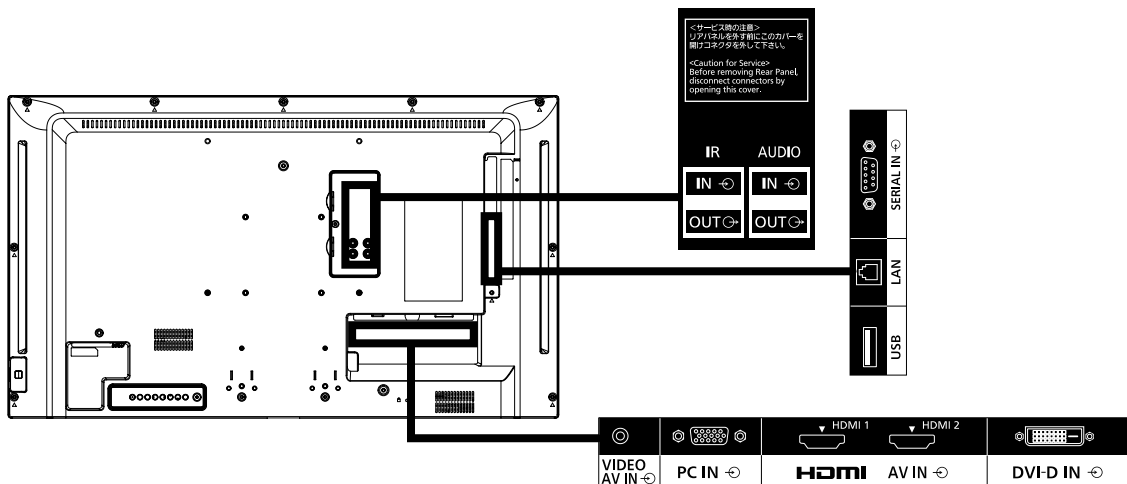
- AC cord (approx. 1.8 m)
- Remote Control
- Batteries (AAA size) x 2
- Clamper x 3
- CD-ROM/User manual

DIMENSIONS

Cautions: This drawing is not a scale
Units : mm



CONNECTION TERMINAL



* Specifications and appearance are subject to change without notice.

List of correspondence signals

V : VIDEO
R : D-sub RGB
Y : YC_BC_R/YP_BP_R
D : DVI-D
H : HDMI

The picture signal which can indicate a this machine is as it is the following table.

| Correspondence signal | Resolution (dot) | Scan rate | | Dot clock rate (MHz) | Format |
|--------------------------------|--------------------------------|-----------------|--------------|----------------------|---------|
| | | Horizontal(kHz) | Vertical(Hz) | | |
| NTSC/NTSC4.43/ PAL-M/PAL60 | 720 x 480i | 15.73 | 59.94 | - | V |
| PAL/PAL-N/SECAM | 720 x 576i | 15.63 | 50.00 | - | V |
| 525i (480i) | 720 x 480 | 15.73 | 59.94 | 13.50 | R/Y |
| 625i (576i) | 720 x 576i | 15.63 | 50.00 | 13.50 | R/Y |
| 525i (480i) | 720 (1440) x 480 ^{*2} | 15.73 | 59.94 | 27.00 | D/H |
| 625i (576i) | 720 (1440) x 576 ^{*2} | 15.63 | 50.00 | 27.00 | D/H |
| 525p (480p) | 720 x 483 | 31.47 | 59.94 | 27.00 | R/Y/D/H |
| 625p (576p) | 720 x 576 | 31.25 | 50.00 | 27.00 | R/Y/D/H |
| 750 (720) /60p | 1280 x 720 | 45.00 | 60.00 | 74.25 | R/Y/D/H |
| 750 (720) /50p | 1280 x 720 | 37.50 | 50.00 | 74.25 | R/Y/D/H |
| 1125 (1080) /60i ^{*1} | 1920 x 1080i | 33.75 | 60.00 | 74.25 | R/Y/D/H |
| 1125 (1080) /50i | 1920 x 1080i | 28.13 | 50.00 | 74.25 | R/Y/D/H |
| 1125 (1080) /24p | 1920 x 1080 | 27.00 | 24.00 | 74.25 | R/Y/D/H |
| 1125 (1080) /24PsF | 1920 x 1080i | 27.00 | 48.00 | 74.25 | R/Y |
| 1125 (1080) /25p | 1920 x 1080 | 28.13 | 25.00 | 74.25 | R/Y/D/H |
| 1125 (1080) /30p | 1920 x 1080 | 33.75 | 30.00 | 74.25 | R/Y/D/H |
| 1125 (1080) /60p | 1920 x 1080 | 67.50 | 60.00 | 148.50 | R/Y/D/H |
| 1125 (1080) /50p | 1920 x 1080 | 56.25 | 50.00 | 148.50 | R/Y/D/H |
| 640 x 400 | 640 x 400 | 31.47 | 70.09 | 25.18 | R/Y/D/H |
| | 640 x 400 | 37.86 | 85.08 | 31.50 | R/Y/D/H |
| 640 x 480 | 640 x 480 | 31.47 | 59.94 | 25.18 | R/Y/D/H |
| | 640 x 480 | 35.00 | 66.67 | 30.24 | R/Y/D/H |
| | 640 x 480 | 37.86 | 72.81 | 31.50 | R/Y/D/H |
| | 640 x 480 | 37.50 | 75.00 | 31.50 | R/Y/D/H |
| | 640 x 480 | 43.27 | 85.01 | 36.00 | R/Y/D/H |
| 800 x 600 | 800 x 600 | 35.16 | 56.25 | 36.00 | R/Y/D/H |
| | 800 x 600 | 37.88 | 60.32 | 40.00 | R/Y/D/H |
| | 800 x 600 | 48.08 | 72.19 | 50.00 | R/Y/D/H |
| | 800 x 600 | 46.88 | 75.00 | 49.50 | R/Y/D/H |
| 832 x 624 | 832 x 624 | 53.67 | 85.06 | 56.25 | R/Y/D/H |
| | 832 x 624 | 49.72 | 74.55 | 57.28 | R/Y/D/H |
| 852 x 480 | 852 x 480 | 31.47 | 59.94 | 34.24 | D/H |
| | 1024 x 768 | 39.55 | 50.00 | 51.89 | D/H |
| | 1024 x 768 | 48.36 | 60.00 | 65.00 | R/Y/D/H |
| | 1024 x 768 | 56.48 | 70.07 | 75.00 | R/Y/D/H |
| | 1024 x 768 | 60.02 | 75.03 | 78.75 | R/Y/D/H |
| | 1024 x 768 | 65.55 | 81.63 | 86.00 | R/Y/D/H |
| 1066 x 600 | 1066 x 600 | 68.68 | 85.00 | 94.50 | R/Y/D/H |
| | 1066 x 600 | 37.64 | 59.94 | 53.00 | D/H |
| | 1152 x 864 | 53.70 | 60.00 | 81.62 | D/H |
| | 1152 x 864 | 63.99 | 70.02 | 94.20 | R/Y/D/H |
| | 1152 x 864 | 67.50 | 75.00 | 108.00 | R/Y/D/H |
| 1152 x 870 | 1152 x 870 | 77.09 | 85.00 | 119.65 | R/Y/D/H |
| | 1152 x 870 | 68.68 | 75.06 | 100.00 | R/Y/D/H |
| 1280 x 720 | 1280 x 720 | 44.76 | 60.00 | 74.48 | R/Y/D/H |
| | 1280 x 768 | 39.55 | 49.94 | 65.18 | R/Y/D/H |
| 1280 x 768 | 1280 x 768 | 47.70 | 60.00 | 80.14 | R/Y/D/H |
| | 1280 x 768 | 47.78 | 59.87 | 79.50 | R/Y/D/H |
| | 1280 x 800 | 41.20 | 50.00 | 68.56 | R/Y/D/H |
| 1280 x 800 | 1280 x 800 | 49.31 | 59.91 | 71.00 | R/Y/D/H |
| | 1280 x 800 | 49.70 | 59.81 | 83.50 | R/Y/D/H |
| | 1280 x 960 | 60.00 | 60.00 | 108.00 | R/Y/D/H |
| 1280 x 960 | 1280 x 960 | 85.94 | 85.00 | 148.50 | R/Y |
| | 1280 x 1024 | 63.98 | 60.02 | 108.00 | R/Y/D/H |
| 1280 x 1024 | 1280 x 1024 | 79.98 | 75.02 | 135.00 | R/Y/D/H |
| | 1280 x 1024 | 91.15 | 85.02 | 157.50 | R/Y/D/H |
| | 1360 x 768 | 47.71 | 60.02 | 85.50 | D/H |
| 1360 x 768 | 1360 x 768 | 47.70 | 60.00 | 84.72 | D/H |
| | 1360 x 768 | 47.72 | 59.80 | 84.75 | D/H |
| | 1366 x 768 | 39.55 | 50.00 | 69.92 | D/H |
| 1366 x 768 | 1366 x 768 | 48.39 | 60.03 | 86.71 | R/Y/D/H |
| | 1366 x 768 | 48.00 | 60.00 | 72.00 | R/Y/D/H |
| | 1366 x 768 | 39.56 | 49.89 | 69.00 | R/Y/D/H |
| | 1366 x 768 | 47.71 | 59.79 | 85.50 | R/Y/D/H |
| | 1400 x 1050 | 1400 x 1050 | 65.22 | 60.00 | 122.61 |
| 1400 x 1050 | 1400 x 1050 | 82.20 | 75.00 | 155.85 | R/Y/D/H |
| | 1440 x 900 | 55.47 | 59.90 | 88.75 | R/Y/D/H |
| 1440 x 900 | 1440 x 900 | 55.92 | 60.00 | 106.47 | R/Y/D/H |
| | 1600 x 900 | 46.30 | 50.00 | 97.05 | D/H |
| 1600 x 900 | 1600 x 900 | 60.00 | 60.00 | 108.00 | D/H |
| | 1600 x 900 | 55.99 | 59.95 | 118.25 | D/H |
| | 1600 x 900 | 55.92 | 60.00 | 119.00 | D/H |
| 1680 x 1050 | 1680 x 1050 | 65.29 | 59.95 | 146.25 | R/Y/D/H |
| 1600 x 1200 | 1600 x 1200 ^{*3} | 75.00 | 60.00 | 162.00 | R/Y/D/H |
| 1920 x 1080 | 1920 x 1080 ^{*4} | 66.59 | 59.93 | 138.50 | R/Y/D/H |
| | 1920 x 1080 | 67.50 | 60.00 | 148.50 | R/Y/D/H |
| 1920 x 1200 | 1920 x 1200 ^{*3} | 74.04 | 59.95 | 154.00 | R/Y/D/H |

● The signal format distinguished automatically will be sometimes indication different from an actual input signal.

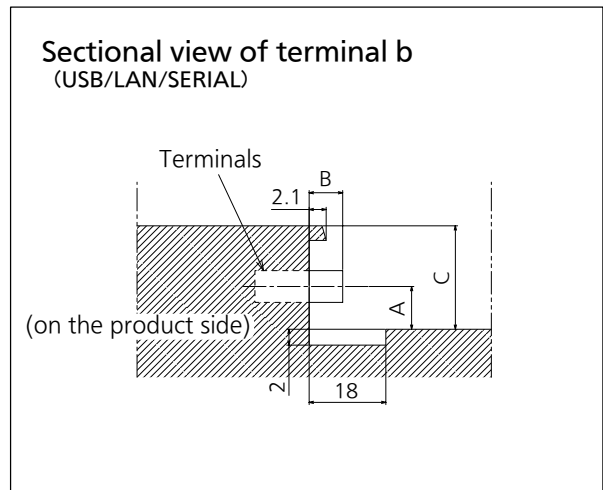
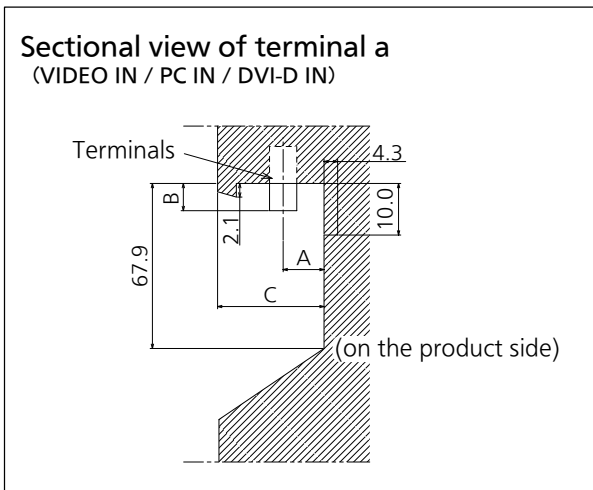
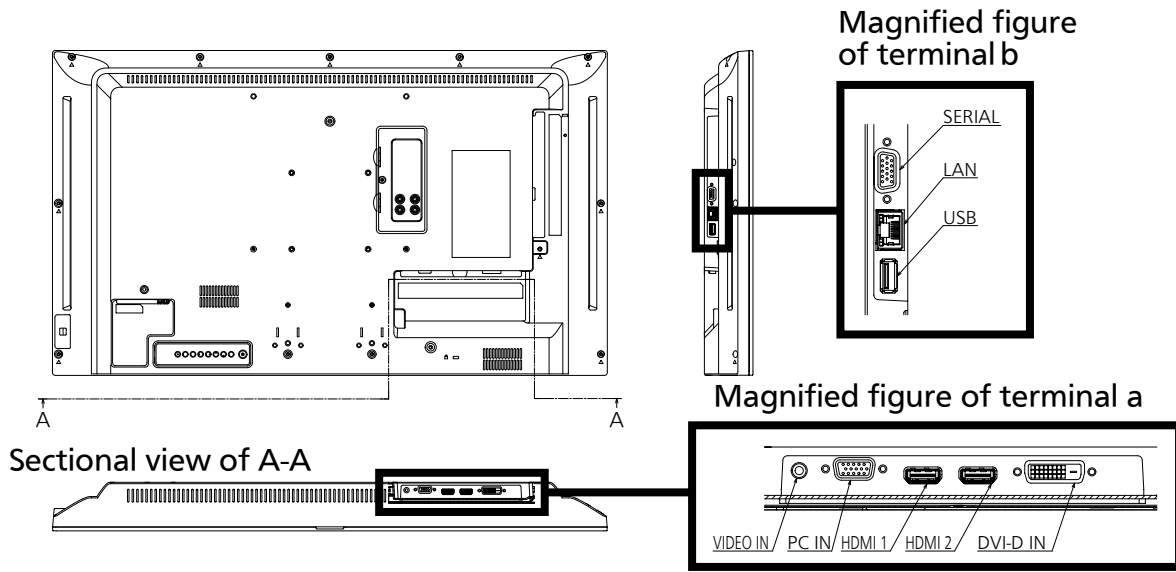
*1: When 1125 (1035) /60i signal is input, it is displayed as 1125 (1080) /60i signal. *3: Displayed with image elements thinned out in the image processing circuit.

*2: Pixel-Repetition signal (dot clock frequency 27.0 MHz) only

*4: Based on VESA CVT-RB (Reduced Blanking) standard

Drawing of terminals

View from back



32EF1

Units : mm

| | VIDEO IN | PC IN | HDMI | DVI-D IN | USB | LAN | SERIAL IN |
|---|----------|-------|------|----------|------|-----|-----------|
| A | 10.8 | 11.5 | 8.6 | 10.2 | 8.3 | 7.4 | 9.0 |
| B | 1.7 | 5.8 | 0 | 0 | 0 | 0 | 5.3 |
| C | 21.1 | | | | 18.6 | | |

*Due to the construction of terminal, some types of connecting cable or USB memory device cannot be used. Be sure to use connecting cable or USB memory device after confirmation in this drawing.