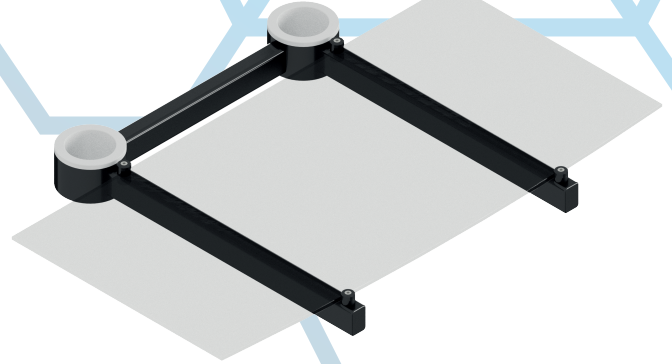


# TRS1

## GLASS SHELF FOR TR1/TR2/TR3 TROLLEY

### PRODUCT SPECIFICATIONS

Short index	TRS1
Product group	Trolleys & Stands
Category	Accessories
Colour	Black
Warranty	Limited 5-years
Maximum load	1 kg



1 kg

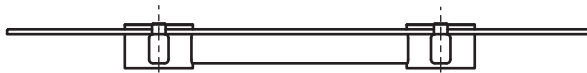


### TECHNICAL SPECIFICATIONS

Product dimensions	W: 600 mm D: 405 mm H: 45 mm (W:23,62" D:15,94" H:1,77")
Product weight	4,1 kg (9,03 lb)

### TECHNICAL DRAWINGS

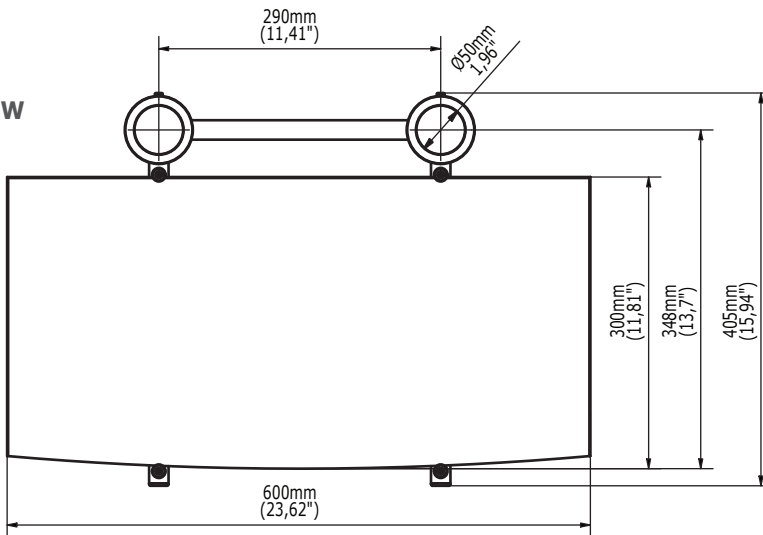
FRONT VIEW



SIDE VIEW



TOP VIEW



### LOGISTICS DATA

SAP INDEX	EAN CODE	COLOUR	PACKAGE DIMENSIONS	PACKAGE WEIGHT
WWTR-TRS1	5908252968251	BLACK	650 x 520 x 120 mm 25,59 x 20,47 x 4,72"	6 kg 13,22 lb

HS Code (Harmonized System): 732690, HTS Code (Harmonized Tariff Schedule): 7326909890, Country of Origin: Poland