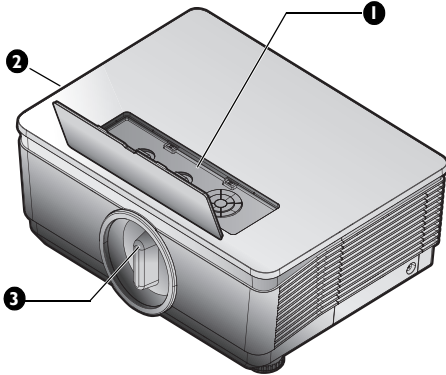
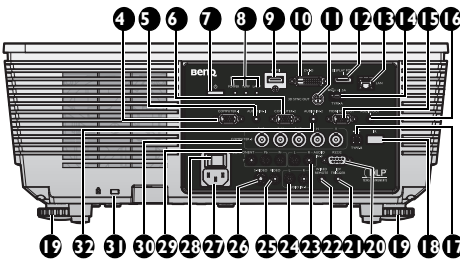


# Projector exterior view

## Front/upper side

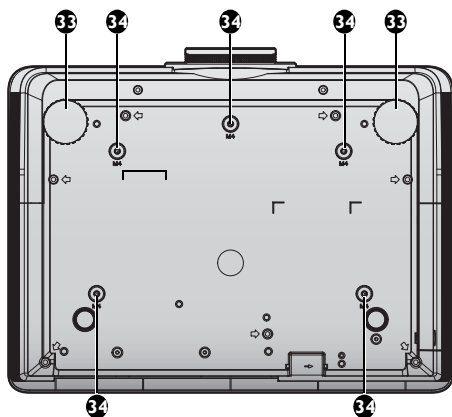


## Rear side




1. External control panel  
(See "Projector" on page 11 for details.)
2. Vent (cool air intake)
3. Anti-dust cap
4. COMPUTER-1 input jack
5. AUDIO IN-1 jack
6. COMPUTER-2 input jack
7. Power button
8. Indicator light (POWER, TEMPerature, LAMP)
9. HDMI input jack
10. DVI input
11. 3D SYNC OUT jack
12. DISPLAY PORT
13. RJ45 LAN input jack
14. USB TYPE-A port
15. MONITOT-OUT output jack
16. AUDIO OUT jack
17. USB TYPE-B port
18. Rear IR remote sensor
19. Front adjuster feet
20. RS232 control port
21. 12V TRIGGER
22. WIRED REMOTE
23. AUDIO IN-3 input jack
24. AUDIO IN-4 input jack
25. VIDEO input jack
26. S-VIDEO input jack
27. AC power cord inlet
28. AC Power Switch
29. COMPONENT Y/Pb/Pr input
30. COMPUTER-3, RGBHV(H+V), Y/  
Pb(CB)/Pr(Cr) input
31. Kensington anti-theft lock slot
32. AUDIO IN-2 jack

**Bottom side**



- 33. Front adjuster foots
- 34. Ceiling mount holes

FUNCTION		DESCRIPTION
6. Information menu	Current System Status	<b>Source</b> Shows the current signal source.
		<b>Picture Mode</b> Shows the selected mode in the <b>Picture</b> menu.
		<b>Lamp Mode</b> Shows the current lamp mode.
		<b>Resolution</b> Shows the native resolution of the input signal.
		<b>3D Format</b> Shows the current 3D mode.
		<b>Color System</b> Shows input system format, NTSC, PAL, SECAM or RGB.
		<b>Lamp Usage Time</b> Displays the number of hours the lamp has been used.
		<b>Projector ID</b> Shows the selected projector ID in the <b>System Setup: Advanced</b> menu.
		<b>Firmware Version</b> Displays the firmware version of the projector.

 The Information menu shows you the current operating status of the projector.

# Specifications

## Projector specifications

 All specifications are subject to change without notice.

### Optical

Resolution

PX9210

1024 x 768

PU9220/PU9220+

1920 x 1200

Display system

Single-chip DLP™ system

Lens F/Number

STANDARD LS2SD

F=2.46 to 2.56, f=22.8 to 28.5mm

WIDE FIX LS2ST3

F=2.5, f=11.5mm

WIDE ZOOM LS2ST1

F=2.5 to 3.1, f=28.5 to 42.75mm

SEMI LONG LS2LT1

F=2.05 to 2.27, f=16.64 to

19.5mm

LONG ZOOM1 LS2LT2

F=2.2 to 2.5, f=44.5 to 74.19mm

Lamp

370W lamp

### Electrical

Power supply

AC100-240V

50-60 Hz (Automatic)

5A

Power consumption

480W (Max); < 0.5W (Standby)

### Mechanical

Weight

18.7 lbs (8.5 Kg)

### Output terminals

Speaker

5 watt x 2

Audio signal output

PC audio jack x 1

Monitor Out

D-Sub 15-pin (female) x1

USB

TYPE-A (5V/1.5A)

3D SYNC OUT x 1

### Control

USB

Type-B x1

RS-232 serial control

9 pin x 1

IR receiver x 2

12V TRIGGER

12VDC (Max. 0.2 A) x 1

LAN control

RJ45 x 1

Wired Remote

PC audio jack x 1

### Input terminals

Computer input

RGB input

D-Sub 15-pin (female) x 2

BNC x 5

Digital input

DVI-D x 1

DISPLAY PORT x 1

Video signal input

COMPONENT

RCA jack X 3

S-VIDEO

Mini DIN 4-pin port x 1

VIDEO

RCA jack x 1

SD/HDTV signal input

Digital - HDMI x 1

Audio signal input

Audio in

PC audio jack x 2

RCA audio jack (L/R) x 2

### Environmental Requirements

Operating temperature

0°C–40°C at sea level

Operating relative humidity

10%–90% (without condensation)

Operating altitude

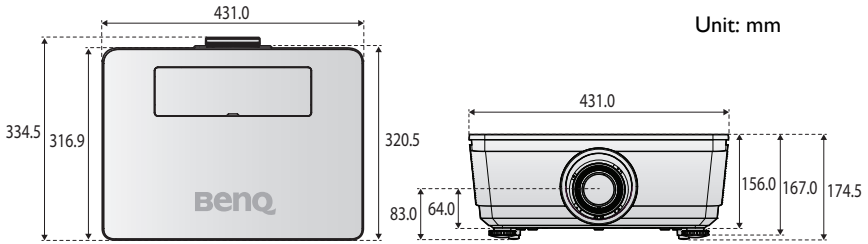
0–1499 m at 0°C–35°C

1500–3000 m at 0°C–30°C (with

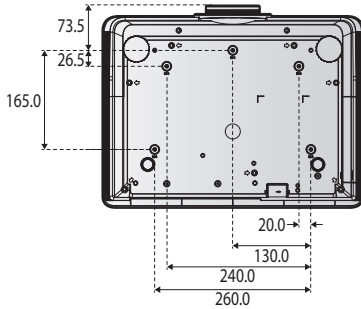
High Altitude Mode on)

# Dimensions

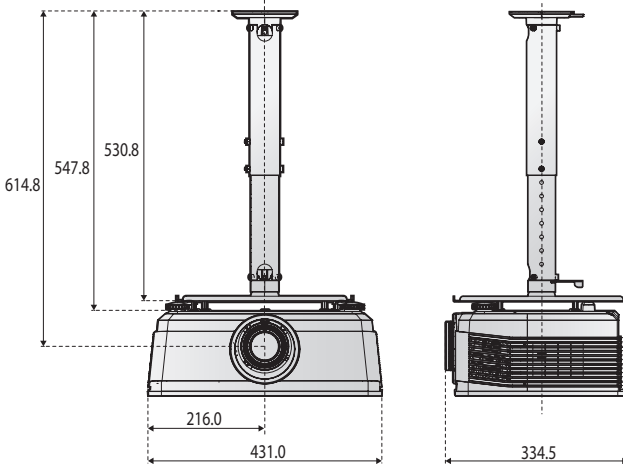
431.0 mm (W) x 167.0 mm (H) x 320.5 mm (D)



## Ceiling Mount Installation



\*Ceiling Mount Screws:  
M4 (Max. L=12, Min. L=10)



# Timing chart

## Supported timing for PC input

Resolution	Mode	Refresh rate (Hz)	H-frequency (kHz)	Clock (MHz)	3D Field Sequential	3D over-under	3D side-by-side
720 x 400	720 x 400_70	70.087	31.469	28.3221			
640 x 480	VGA_60	59.940	31.469	25.175	⊙	⊙	⊙
	VGA_72	72.809	37.861	31.500			
	VGA_75	75.000	37.500	31.500			
	VGA_85	85.008	43.269	36.000			
800 x 600	SVGA_60	60.317	37.879	40.000	⊙	⊙	⊙
	SVGA_72	72.188	48.077	50.000			
	SVGA_75	75.000	46.875	49.500			
	SVGA_85	85.061	53.674	56.250			
	SVGA_120 (Reduce Blanking)	119.854	77.425	83.000	⊙		
1024 x 768	XGA_60	60.004	48.363	65.000	⊙	⊙	⊙
	XGA_70	70.069	56.476	75.000			
	XGA_75	75.029	60.023	78.750			
	XGA_85	84.997	68.667	94.500			
	XGA_120 (Reduce Blanking)	119.989	97.551	115.500	⊙		
1152 x 864	1152 x 864_75	75.00	67.500	108.000			
1024 x 576	BenQ NB Timing	60.00	35.820	46.996			
1024 x 600	BenQ NB Timing	64.995	41.467	51.419			
1280 x 720	1280 x 720_60	60	45.000	74.250	⊙	⊙	⊙
1280 x 768	1280 x 768_60	59.870	47.776	79.5	⊙	⊙	⊙
1280 x 800	WXGA_60	59.810	49.702	83.500	⊙	⊙	⊙
	WXGA_75	74.934	62.795	106.500			
	WXGA_85	84.880	71.554	122.500			
	WXGA_120 (Reduce Blanking)	119.909	101.563	146.25	⊙		
1280 x 1024	SXGA_60	60.020	63.981	108.000		⊙	⊙
	SXGA_75	75.025	79.976	135.000			
	SXGA_85	85.024	91.146	157.500			