

VCTX170

FLAT SCREEN VIDEO CONFERENCING TROLLEY WITH HEIGHT ADJUSTMENT FOR 42"-65" SCREEN

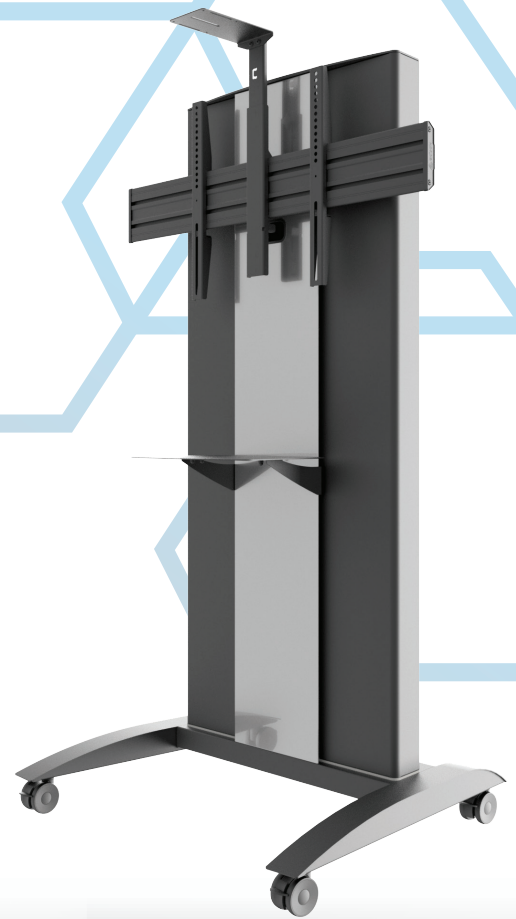
VCTX170 is an excellent choice of a conference trolley for mounting a 42"-65" screen for users looking for a practical solution that meets the highest expectations. It has been designed to provide comfort during a conference, speech, or public presentation. VCTX170 is perfect for all professional applications in conference rooms, educational facilities or at trade fair stands. Equipping the trolley with a system that protects the monitor against falling and braked castors guarantees safe use. The built-in storage compartment for AV accessories and shelves for a camera or a decoder ensure comfort of work for the most demanding customers. In addition, the integrated cable management system provides smart installation and makes the finished VCTX170 solution look very aesthetic.

FEATURES

- Equipped with shelves for a camera and a decoder
- Includes storage compartment for AV accessories
- Fully adjustable height
- Structure that protects the screen against falling
- Universal VESA-compliant mounting range
- Integrated cable management system
- Braked castors

PRODUCT SPECIFICATIONS

Short index	VCTX170
Category	Flat Screen Trolleys VCTX Series
Product group	Trolleys & Stands
Colour	Black
Warranty	Limited 5-years
Number of screens	1
Minimum screen size	42"
Maximum screen size	65"
Maximum load	80 kg
VESA Mounting Compatibility	100x100 up to 600x400



42"-65"



100x100
600x400



80 kg



Equipped with shelves for a camera and a decoder



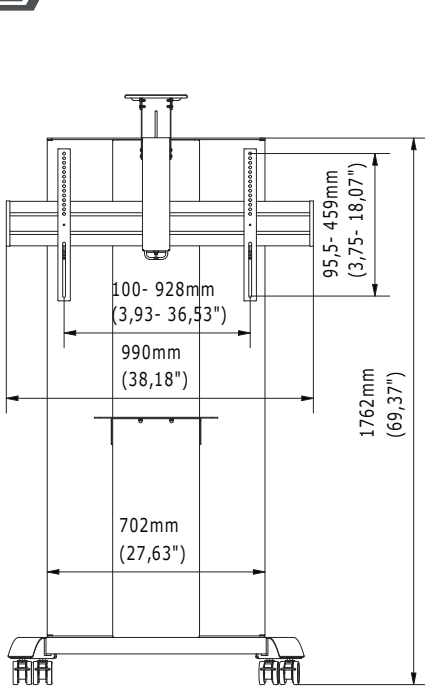
Includes compartment for AV accessories



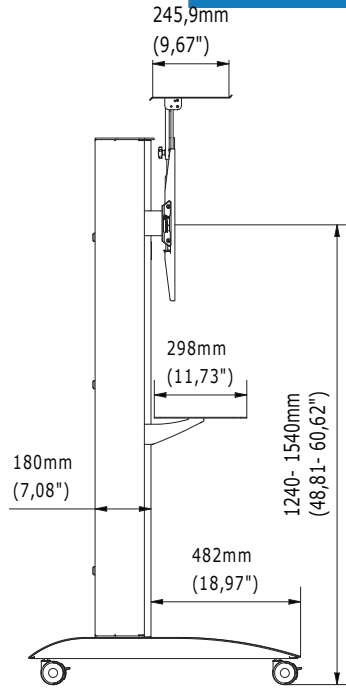
Cable management system



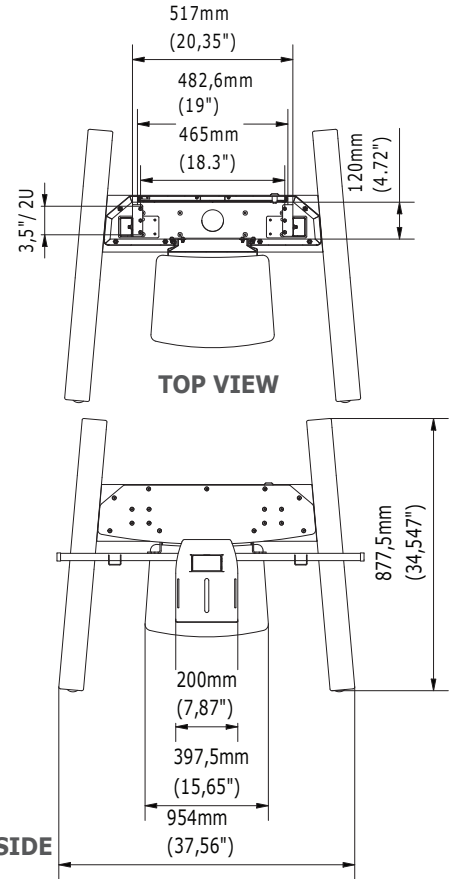
4 braked castors



FRONT VIEW



SIDE VIEW



TOP VIEW

TOP VIEW INSIDE

TECHNICAL SPECIFICATIONS

Product dimensions	W: 877,5 mm D: 954 mm H: 1762 mm (W:34,55" D:37,56" H:69,37)
Product weight	86,5 kg (191 lb)
Max. distance from floor to screen centre	1540 mm (60,63)
Min. distance from floor to screen centre	1240 mm (48,82)
Max. mounting pattern	658 mm x 459 mm
Min. mounting pattern	100 mm x 95,5 mm

LOGISTICS DATA

SAP INDEX	EAN CODE	COLOUR
WWTR-VCTX170	5902841135116	BLACK

HS Code (Harmonized System): 732690, HTS Code (Harmonized Tariff Schedule): 7326909890, Country of Origin: Poland

ACCESSORIES AND RELATED PRODUCTS



VCTX190



VCTX247



VCTX255

2021 - EDBAK Sp. z o.o. All rights reserved.
The information included in the specification reflects the current technical specifications at the time of printing. We reserve the right to modify technical or physical specifications without prior notice. EDBAK name and EDBAK logo are registered trademarks of EDBAK Sp. z o.o. All EDBAK images and symbols are sole property of EDBAK Sp. z o.o. Edbak shall not be held liable for any loss or damage caused by incorrect installation or mounting. Copying this specification in whole or in part is only allowed after obtaining written consent from EDBAK Sp. z o.o.
TVCTX170-211001-EN