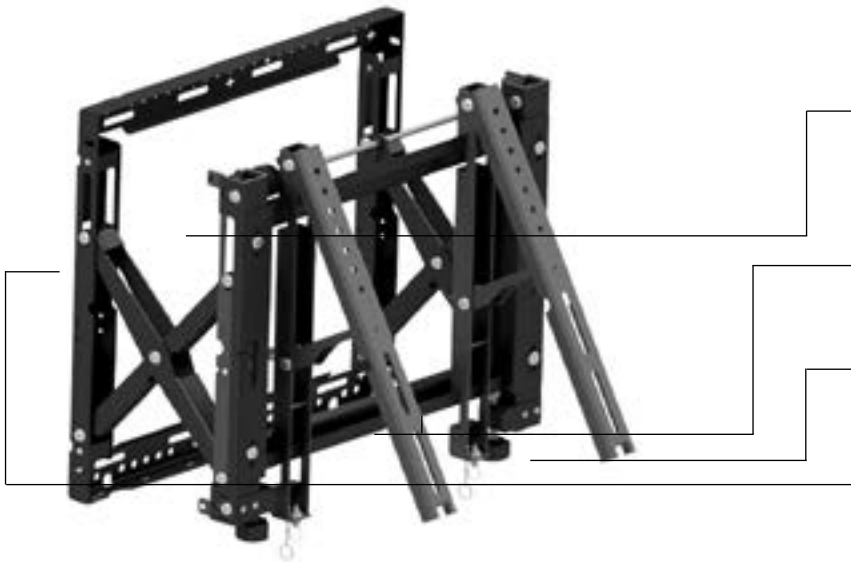




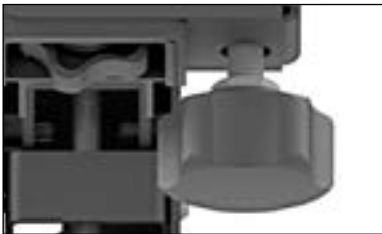
The VWFS Series is purpose designed for easy and fast servicing in video wall installations. The full service mechanism allows extension of the display out of the videowall so access and servicing can be performed quickly and safely. Tool-less micro-adjustment is included for seamless alignment of the displays and precision dedicated spacers eliminate requirement for on-site calculations and measurements.



## FEATURES

- Mechanism extension includes upward tilt position with prop stands holding weight of display for easy and safe servicing.
- Open Frame design allows full electrical wiring access and Integrated cable management strips make display-to-display cabling simple.
- Sequentially drilled wall plate and precision dedicated display spacers eliminate requirement for on-site calculations.
- Tool-less independent 8-point micro-adjustment provides seamless alignment of the displays.
- Pull-out/prop-open mechanism provides quick and easy access for servicing.

tool-less micro-adjustment



security padlock



dedicated spacers



## FEATURES



100x100  
600x600



90°-95°



130 kg



100-310 mm



0-20°

## ACCESSORIES

SPACERS



## PRODUCT SPECIFICATION

Product	Screen size	Max. capacity	Max. VESA	Weight	Dimensions (HxWxD)
VWFS95-P	90"-95"	130 kg	600x600 mm	24 kg	876x670x100 mm



# TECHNICAL DRAWINGS

