

VWPOPT65-L

ULTRA-THIN VIDEO WALL POP-OUT MOUNT WITH QUICK RELEASE

FOR 42"-65" SCREENS

VWPOPT65-L allows easy and fast installation of video walls. Independent 8-point adjustment allows precise alignment of screens without the use of tools. Open design of VWPOPT65-L and a special retractable system for easy access for service purposes. The mount is equipped with a lock against uncontrolled structure opening, ensuring comfort of use and safety. VWPOPT65-L will meet the expectations of the most demanding customers. It will be perfect for an office, a shopping centre or car dealership.

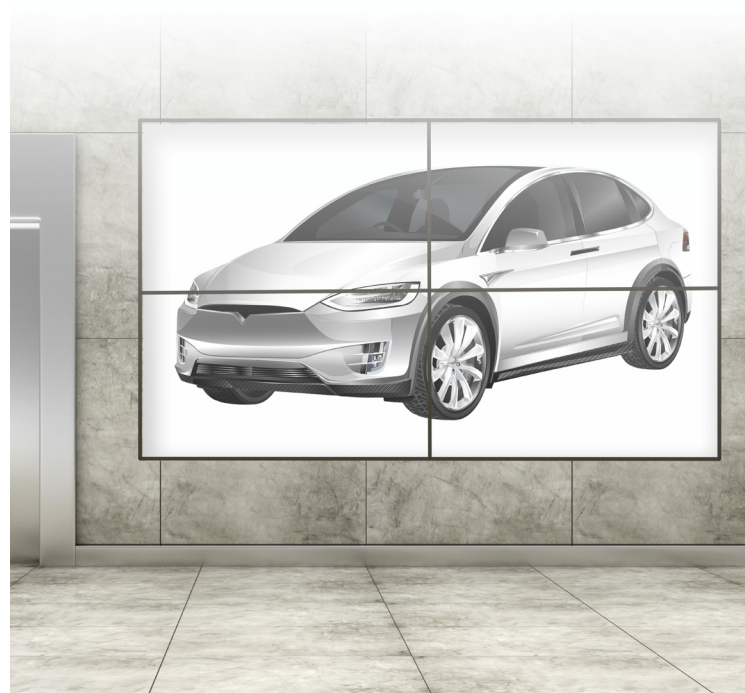


FEATURES

- Possible landscape or portrait setup
- The thickness of the mount is only 60 mm
- +/-7.5 mm micro-adjustment ensures smooth alignment of screens
- Levelling screws allow adjustment of screen height
- Pop-out system for quick and easy access for installation and servicing purposes
- 10° tilt of the screen with the mount open increases access to the back of the screen from the bottom
- Integrated locking mechanism prevents the screen from being slid out accidentally
- Padlock protection against uncontrolled opening

PRODUCT SPECIFICATIONS

Short index	VWPOPT65-L
Category	Video Wall Mounts
Product group	Video Wall & Menu Board Mounts
Colour	Black
Warranty	Limited 5-years
Minimum screen size	42"
Maximum screen size	65"
Maximum load	42 kg
Forward tilting	+10°
VESA Mounting Compatibility	100x100 up to 400x400



42"-65"



100x100
400x400



0+10°



42 kg



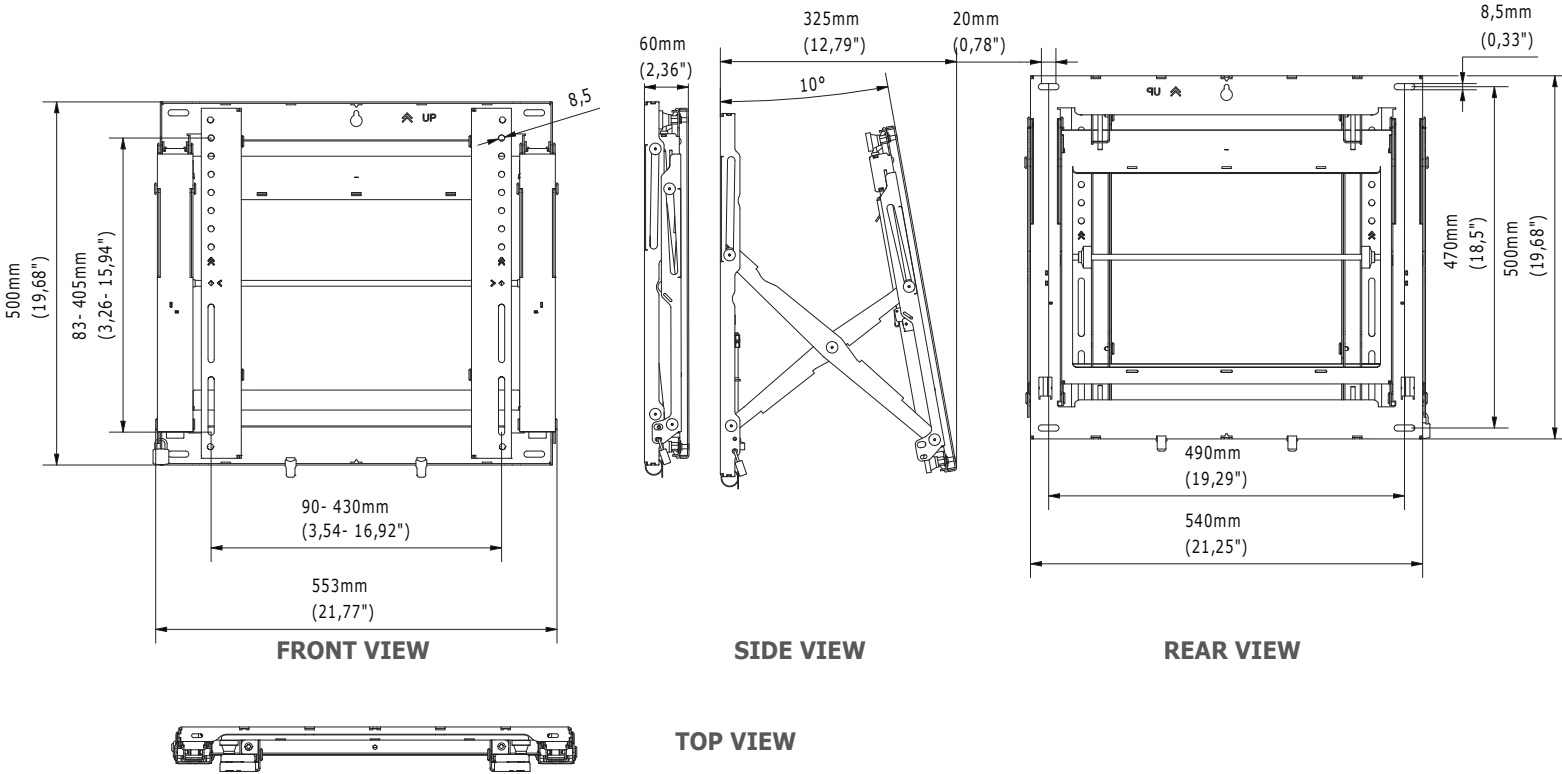
Securing the screen against falling with screws



Minimalistic design and functionality



Wide range of VESA mounting standards



TECHNICAL SPECIFICATIONS

Product dimensions	W: 553 mm D: 60 mm H: 500 mm (W:21,77" D:2,36" H:19,69")
Product weight	8 kg (18 lb)
Max. distance from the surface	325 mm (12,80")
Min. distance from the surface	60 mm (2,36")
Max. mounting pattern	430 mm x 405 mm
Min. mounting pattern	90 mm x 83 mm

LOGISTICS DATA

SAP INDEX	EAN CODE	COLOUR	PACKAGE DIMENSIONS	PACKAGE WEIGHT
WUSC-VWPOPT65-L	5902841134690	BLACK	750 x 550 x 70 mm 29,53 x 21,65 x 2,76"	10 kg 22 lb

HS Code (Harmonized System): 732690, HTS Code (Harmonized Tariff Schedule): 7326909890, Country of Origin: Poland

ACCESSORIES AND RELATED PRODUCTS



VWRA65



VWPOP40



VWPOP65-L