

# VWSA2347-L

## VIDEO WALL BOLT DOWN STAND, MODULAR 2X3

FOR 42"-47" SCREENS, LANDSCAPE

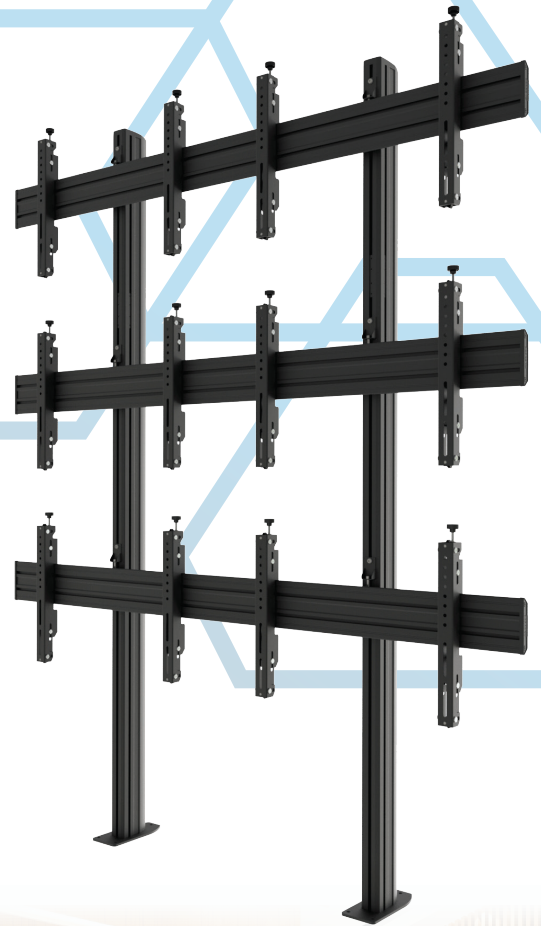
With its modular design, VWSA2347-L allows the installation of six 42"-47" screens in 2x3 landscape orientation. The design is characterised by durability, high quality and aesthetics. The video wall assembled to the floor allows a safe solution to be built in accordance with the expectations of the most demanding customers. VWSA2347-L is used in places where there is a need for dynamic and effective communication with the audience, while ensuring the maximum safety.

### FEATURES

- High quality and aesthetics
- Durable design
- Screen carrying plates made of aluminum
- Up to 6 x 42"-47" screens
- Independent 8-point micro-adjustment ensures perfect alignment of screens without the use of tools
- Screen protected against being slid out accidentally
- Integrated cable management system for smart installation
- Screws protecting against accidental or unauthorised removal of the screen

### PRODUCT SPECIFICATIONS

|                             |                             |
|-----------------------------|-----------------------------|
| Short index                 | VWSA2347-L                  |
| Category                    | Video Wall Bolt Down Stands |
| Product group               | Video Wall Mounts           |
| Colour                      | Black                       |
| Warranty                    | Limited 5-years             |
| Number of screens           | 6                           |
| Minimum screen size         | 42"                         |
| Maximum screen size         | 47"                         |
| Maximum load                | 205 kg                      |
| VESA Mounting Compatibility | 100x100 up to 600x400       |



42"-47"



100x100  
600x400



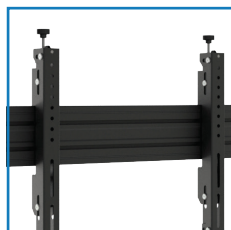
205 kg



RoHS  
Compliant



Screen carrying plates made of aluminum



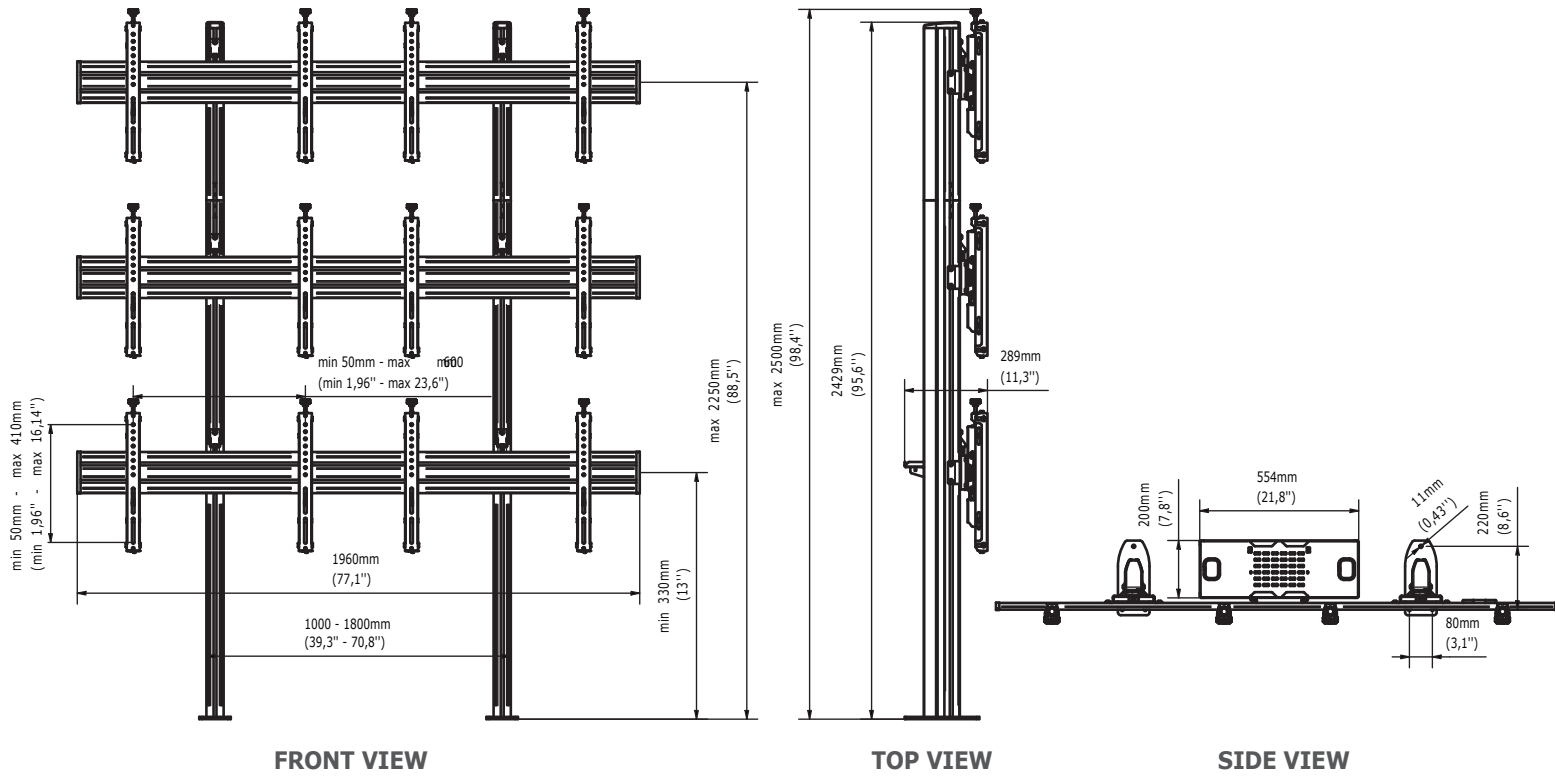
Independent 8-point micro-adjustment ensures perfect alignment of screens without the use of tools



Cable management



Security screws to prevent accidental or unauthorized removal of the screen



## TECHNICAL SPECIFICATIONS

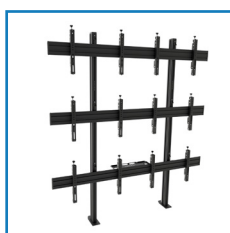
|                                     |   |
|-------------------------------------|---|
| Product dimensions                  | W: 1960 mm D: 289 mm H: 2429 mm (W: 77,17" D: 11,38" H: 95,63") |
| Product weight                      | 80 kg (176 lb)  |
| Max. distance from mounting surface | 2250 mm (88,58")  |
| Min. distance from mounting surface | 330 mm (12,99")   |
| Max. mounting pattern               | 600 mm x 410 mm   |
| Min. mounting pattern               | 50 mm x 50 mm   |

## LOGISTICS DATA

| SAP INDEX       | EAN CODE      | COLOUR |
|-----------------|---------------|--------|
| WSTD-VWSA2347-L | 5902841112605 | BLACK  |

HS Code (Harmonized System): 732690, HTS Code (Harmonized Tariff Schedule): 7326909890, Country of Origin: Poland

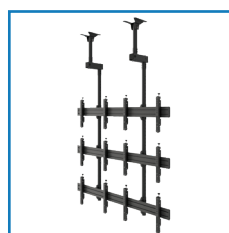
## ACCESSORIES AND RELATED PRODUCTS



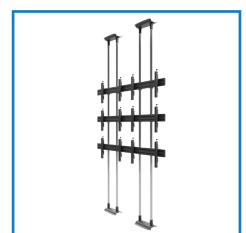
VWSA2357-L



VWTA2347-L



VWCA2347-L



VWFCA2347-L